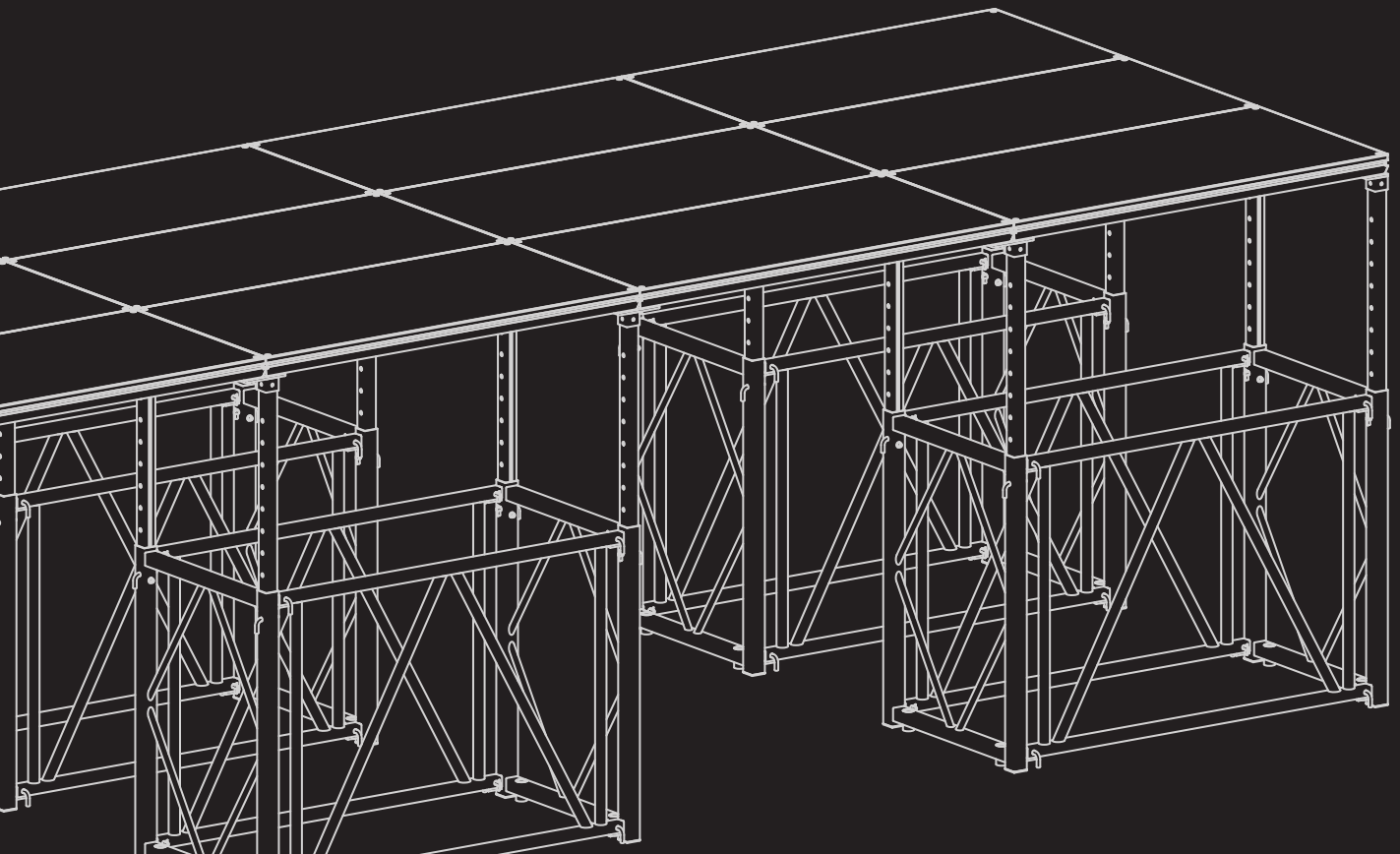




**STAGE  
DEX**



**STAGE  
DEX**

Staging Systems  
Crowd Barriers

StageDex is a  
Prolyte Group brand



**PROLYTE  
GROUP**



**STAGE  
DEX**



# Contents

INTRODUCTION	160	STAGEDEX DOLLIES	191
LITEDECK	163	ACCESSORIES	193
STAGING MODELS	164	BARRIERS	195
LITEDECK LEG SYSTEMS	165	CORNERS	198
ROLLINGSTAGE	166	EXTENSION	200
LITEDECK MODULAR STEP SYSTEM	167	SNAKEGATE	201
LITEDECK HANDRAILS	168	LINEUPGATE	202
LITEDECK ACCESSORIES	169	DOLLY	203
LITEDECK TYPICAL CONFIGURATION	170		
ROTATINGSTAGE	171		
STAGEDEX	172		
TECHNICAL SPECIFICATIONS	174		
STAGING MODELS	175		
LEG TYPES	176		
STAGEDEX RAMP	177		
EASYFRAME B	178		
EASYFRAME C	180		
PROBEAM	183		
FLEXIBLE LAYHER ADAPTER	184		
EASYRAIL	185		
EASYSTAIR SYSTEMS	188		



Photo: Extreme, Jordan



## StageDex products

Staging systems are the perfect accompaniment to truss systems and roof structures. Prolite has developed a range of complementary products that provide you with one-stop-shop solutions. Ranging from stage systems to crowd control systems Prolite offers extended solutions for in- and outdoor events. Over the years, StageDex has developed into an independent product range, incorporating both LiteDeck and StageDex staging systems, crowd control systems and associated accessories including ProBeam, ramps, step units and handrails. Whether you have a dance performance, need multilevel staging, require a walkway or need integrated crowd control solutions, these flexible systems adapt easily to all demands.

## Built on solid experience

If all the world's a stage, then it should live up to the expectations of modern day technology. Staging systems need to be portable, mobile, compact, and durable. They should be fit to use in a variety of configurations, require the minimum of tooling and come with a range of accessories. This is exactly what you can expect from the StageDex range. Prolite's staging systems are lightweight yet offer very high loading capacities thanks to advanced design and manufacturing techniques. Furthermore, they comply with all applicable regulations.

## LiteDeck

LiteDeck is one of the highest performing and most popular decking systems in the world of demanding touring productions. Tried and tested internationally, it is a lightweight yet robust staging solution that can be relied upon to perform. The LiteDeck system is available in a wide range of shapes and sizes, allowing hundreds of stage configurations to be created



Photo: Florence and the Machine

from a relatively narrow stock of standard components. Coupled with the unique TopLok system makes this decking a designer's favourite. LiteDeck is available in either imperial or metric measurements, ensuring compatibility with structural formats across the world.

## StageDex

StageDex staging is among the strongest and most versatile systems on the market for building temporary or demountable stages. The product of long-term practical experience, StageDex offers a solid solution to a variety of staging needs. Efficient and lightweight yet offering a high loading capacity, StageDex is ideal for all your business functions from conferences, award ceremonies and exhibitions to banquets, product launches and concerts. With StageDex you can create stunning structures and tailor-made platforms, entertainment stages or dance platforms. The StageDex staging system is based on an aluminium frame made from a specially extruded profile. The plywood top board

is glued to this frame to reduce noise and vibration. StageDex can be transformed quickly and easily, often without the need for tools. StageDex is available in either imperial or metric measurements, ensuring compatibility with structural formats across the world.

## A new look, time and again

Using standard or customized finishes you can give your projects a fresh look, time and again. The transparent StageDex offers numerous possibilities to expand your banqueting options, create a colour changing dance floor or build catwalks, sloping car ramps or grandstands, where rotating or multi-level staging can create complex staging structures. Several leg types and support frames complete your staging system, along with numerous accessories, which makes the StageDex staging system very adaptable for different circumstances.





Photo: KoRn, De Oosterpoort, The Netherlands. Picture by Knelis

Renowned for enduring performance and smart aesthetic design, LiteDeck is the most popular decking system in the demanding world of touring productions. Tried and tested around the world, it is a lightweight yet robust staging solution with a proven record of reliable performance.

**TOP OPTIONS**

A variety of options for the top board surface completes the LiteDeck range. Provided as standard is our most popular finish, a durable 19 mm plywood painted matte black connected (as with all tops) by a set of bolts which allow removal, maintenance and replacement over the life of the deck. For more elaborate applications, LiteDeck is also available with clear acrylic tops to allow the transmission of lights from under the stage.

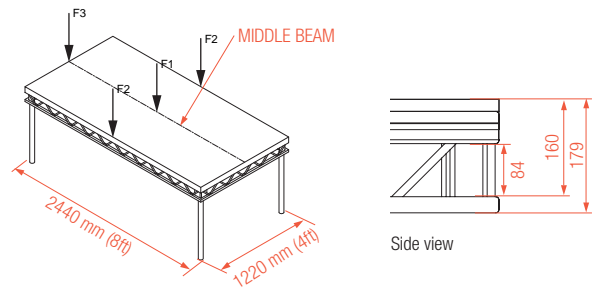


Description	Technical	Code
Macrolon Top	19 mm Hardened Acrylic	Standard deck code followed by Mac

\* Please note, special legs (6 mm shorter) are required with this top configuration.

**STRUCTURALLY APPROVED**

LiteDeck system is designed to provide a 5 kN/m<sup>2</sup> uniform load rating in all configurations when used in compliance with our assembly guidelines. Only genuine LiteDeck components should be used, and full design calculations and assembly layouts are available on request.



Loading types	
Uniformly distributed load	500 kg/m <sup>2</sup>
Pointload F1	360 kg
Pointload F2	360 kg
Pointload F3	360 kg

The pointload should be applied to a minimum area of 50 x 50 mm. Pointload to be placed as indicated on drawing. 1 pointload total allowed.

**TOPLOK SYSTEM**

Introduced specifically in response to feedback from touring productions, the optional TopLok system offers time savings (with crew and cost benefits) in assembling any stage configuration. Utilising an integrated claw catch design, decks can be joined from above with the single turn of an Allen key, ensuring the fastest possible build and strike times.



# STAGING MODELS

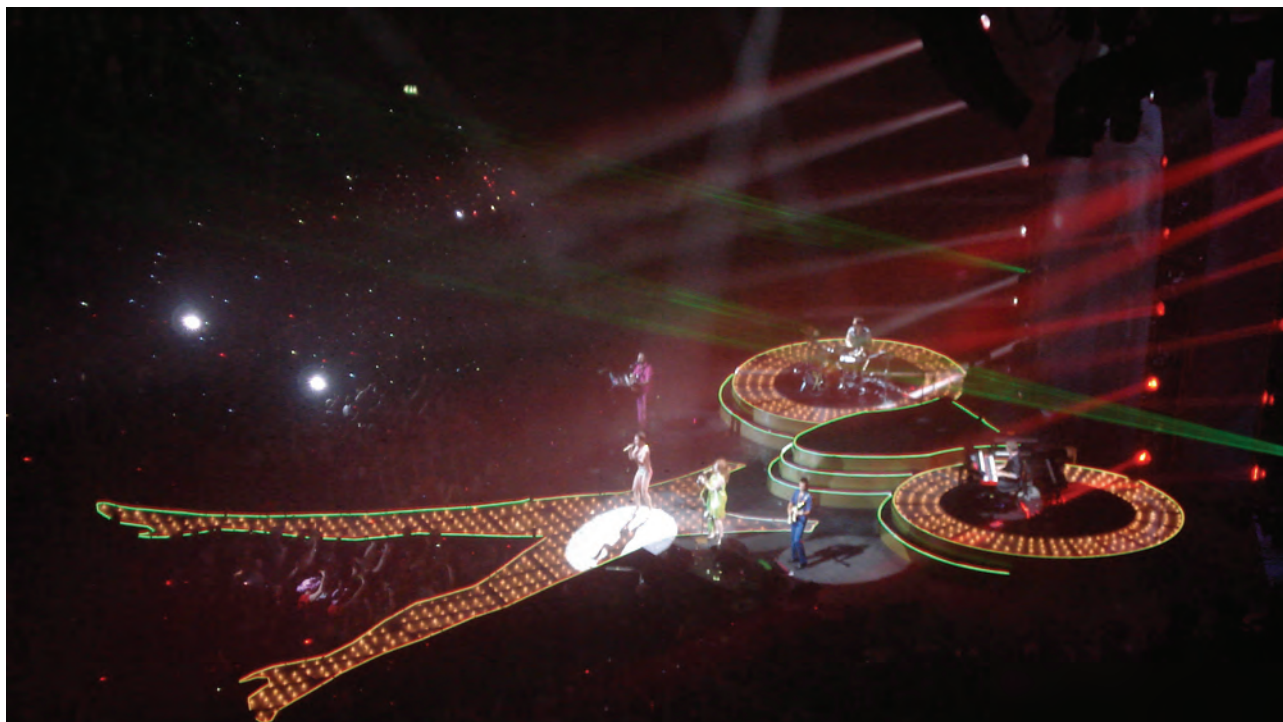
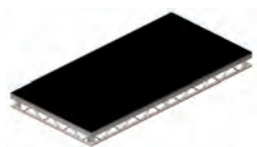


Photo: Scissor Sisters

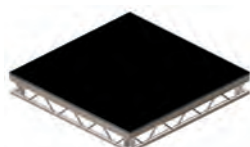
## SHAPES AND SIZES

The LiteDeck system is available in a wide range of shapes and sizes, allowing hundreds of stage configurations to be created from a relatively narrow stock of standard components. LiteDeck is also available in either imperial or metric measurements, ensuring compatibility with structural formats across the world.

\* LiteDeck weights are based upon standard units, without TopLok and with the inclusion of 19 mm plywood tops. Other configurations will differ in weight.



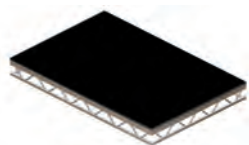
Size	Code	TopLok Code	Weight*
4' x 2'	LD-42FT-S	LD-42FT-TL	17,00 kg
8' x 4'	LD-84FT-S	LD-84FT-TL	49,00 kg
2 m x 1 m	LD-21M-S	LD-21M-TL	36,00 kg



Size	Code	TopLok Code	Weight*
4' x 4'	LD-44FT-S	LD-44FT-TL	27,50 kg
1 m x 1 m	LD-11M-S	LD-11M-TL	21,00 kg



Size	Code	TopLok Code	Weight*
4' x 4'	LD-44FT-S-RA	LD-44FT-TLP-RA	19,50 kg
1 m x 1 m	LD-11M-S-RA	LD-11M-TLP-RA	14,50 kg



Size	Code	TopLok Code	Weight*
6' x 4'	LD-64FT-S	LD-64FT-TL	33,50 kg



Size	Code	TopLok Code	Weight*
4' x 4'	LD-44FT-S-IQ	LD-44FT-TL-IQ	13,50 kg



Size	Code	TopLok Code	Weight*
4' x 4'	LD-44FT-S-Q	LD-44FT-TLP-Q	27,00 kg
1 m x 1 m	LD-11M-S-Q	LD-11M-TLP-Q	21,00 kg



Size	Code	TopLok Code	Weight*
8' x 2'	LD-82FT-S	LD-82FT-TL	36,00 kg



**Circular Decks**  
Available on request.



**Semi Circular Decks**  
Available on request.

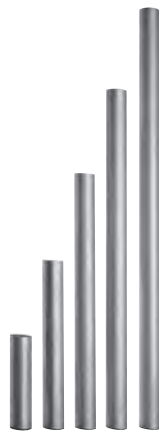




## LITEDECK LEG SYSTEM

LiteDeck is designed around a universal leg system constructed from standard 48 mm x 4 mm round section aluminium tubes. All LiteDeck legs are constructed from high grade 6082T6 tubes, and are supplied cut to length.

Diagram	Size	Quantity
	8' x 4'	4
	6' x 4'	4
	8' x 2'	4
	2 m x 1 m	4
	4' x 4'	4
	1 m x 1 m	4
	4' x 4'	3
	1 m x 1 m	3
	4' x 4'	3
	1 m x 1 m	3
	4' x 4'	4
	1 m x 1 m	4



Code	Description
LD-L165	Leg 16,5 cm Stage height 19 cm
LD-L355	Leg 35,5 cm Stage height 38cm
LD-L545	Leg 54,5 cm Stage height 57 cm
LD-L735	Leg 73,5 cm Stage height 76 cm
LD-L925	Leg 92,5 cm Stage height 95 cm

## LITEDECK LEGFRAME SYSTEM

In the LiteDeck LegFrame system, Prolyte has developed the quickest and safest method for construction of stages up to a total height of 2,47 metres. Using an all-aluminium tubular construction in combination with a clamp-on bracing, LiteDeck LegFrame systems are strong, light and very quick to build. All units are compatible with standard stage heights and step units.



The table below demonstrates the required Leg Frame and Brace detail for each deck shape and size

Diagram	Size	Leg Frame Code*	Quantity	Brace Code	Quantity
	8' x 4'	LD-LF-FT••	2	LDCOB8	2
	6' x 4'	LD-LF-FT••	2	LDCOB6	2
	8' x 2'	LD-LF-FT••	2	LDCOB8	2
	4' x 2'	LD-LF-FT••	2	LDCOB4	2
	2 m x 1 m	LD-LF-M••	2	LDCOB2M	2
	2 m x 0,5 m	LD-LF-M••	2	LDCOB2M	2
	1 m x 0,5 m	LD-LF-M••	2	LDCOB1M	2
	4' x 4'	LD-LF-FT••	2	LDCOB4	2
	1 m x 1 m	LD-LF-M••	2	LDCOB1M	2

Please note that the configurations below require an additional single individual leg (See right •)

	4' x 4'	LD-LF-FT••	1 (+ 1 Leg)	LDCOB4	1
	1 m x 1 m	LD-LF-M••	1 (+ 1 Leg)	LDCOB1M	1
	4' x 4'	LD-LF-FT••	1 (+ 1 Leg)	LDCOB4	1
	1 m x 1 m	LD-LF-M••	1 (+ 1 Leg)	LDCOB1M	1

Please note that the configurations below require an additional two individual legs ••.

	4' x 4'	LD-LF-FT••	1 (+ 2 Leg)	LDCOB4	1
	1 m x 1 m	LD-LF-M••	1 (+ 2 Leg)	LDCOB1M	1

\* •• = leg height

The beauty of the LiteDeck range lies in the simplicity of a leg system which allows a remarkably wide range of heights to be created quickly, easily and safely. For stage heights of up to 950 mm, the system uses simple scaffold tube legs (see the right section below); above this height, the LegFrame system provides additional rigidity through reinforcement by two clamp-on braces (see the left section below). The heights of the system are derived from building standard regulations: all step units fit directly on to standard stage heights and are fully compliant with legislative requirements for typical performance and exhibition venues.

### LiteDeck LegFrame System (For stages exceeding 950 mm in height)

### LiteDeck Leg System (For stages upto 950 mm in height)

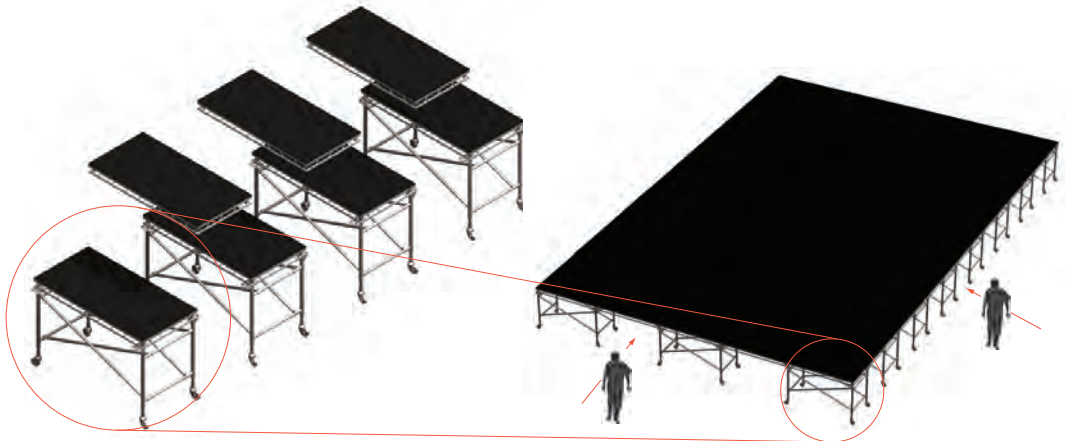
2470 mm	13 Steps	2280 mm	12 Steps	2090 mm	11 Steps	1900 mm	10 Steps	1710 mm	9 Steps	1520 mm	8 Steps	1330 mm	7 Steps	1140 mm	6 Steps	950 mm	5 Steps	760 mm	4 Steps	570 mm	3 Steps	380 mm	2 Steps	190 mm	1 Step
Stage Height:	2470 mm	2280 mm	2090 mm	1900 mm	1710 mm	1520 mm	1330 mm	1140 mm	950 mm	760 mm	570 mm	380 mm	190 mm												
Leg Height:	2445 mm	2255 mm	2065 mm	1875 mm	1685 mm	1495 mm	1305 mm	1115 mm	925 mm	735 mm	545 mm	355 mm	165 mm												
Step No:	13	12	11	10	9	8	7	6	5	4	3	2	1												
Step Unit Code:	LD-SUM13	LD-SUM12	LD-SUM11	LD-SUM10	LD-SUM9	LD-SUM8	LD-SUM7	LD-SUM6	LD-SUM5	LD-SUM4	LD-SUM3	LD-SUM2	N/A												

# ROLLINGSTAGE

## ROLLINGSTAGE

LiteDeck was conceived from the outset as the ultimate staging solution for touring performers and productions. As such, the RollingStage configuration allows unparalleled versatility by creating a platform that can be moved around as a production comes together, or as a venue requires. A further benefit is that the LiteDeck system can be setup to allow walk

through configuration of the understage, both left to right and upstage to downstage. Shown below is a typical configuration of a LiteDeck RollingStage, with the key components isolated for identification. The LiteDeck system is adjustable in height between 1720 and 1820mm.



### 1 ROLLING LEG FRAME

The RollingStage LegFrame System is a unique and distinctly different addition to the standard LiteDeck LegFrame system. Optimised for the touring environment, it utilises sturdy 63,5 mm main legs which accommodate aluminium screw jacks to give adjustable height, thus allowing the platforms to be leveled against existing venue stages. RollingStage LegFrame sets are available in 4' and 1 m widths, to suit 8' x 4' and 4' x 4' or 2 m x 1 m and 1 m x 1 m stage formats respectively.

Height	Code	Weight
4'	LD-RF-4FT	9,22 kg
1 m	LD-RF-1M	8,60 kg

### 2 SNAP ON BRACES

A key element of the RollingStage LegFrame System is the Snap-on brace system, which greatly reduces stage assembly times. These braces are required per individual deck, and these locate quickly and securely against collars on the LegFrame, locking the assembly together. RollingStage Snap-on braces are available in imperial and metric lengths, for use with 8' x 4' and 4' x 4' or 2 m x 1 m and 1 m x 1 m stage formats respectively.

Length	Code	Weight
4'	LD-SOB-1220	1,78 kg
8'	LD-SOB-2440	2,56 kg
1 m	LD-SOB-1000	1,74 kg
2 m	LD-SOB-2000	2,29 kg



Description	Part No	Self Weight
Leg Top 4	LD-SEP	1,74 kg



Description	Part No	SWL	Self Weight
Castor	LD-LC5	1000 kg	2,94 kg



Description	Part No	Self Weight
RollingStage Screw	LD-SJACK-R	1,10 kg



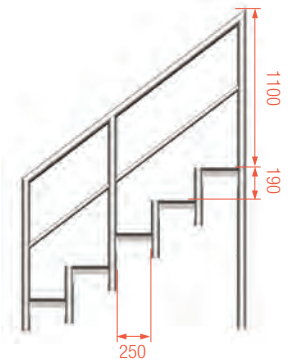
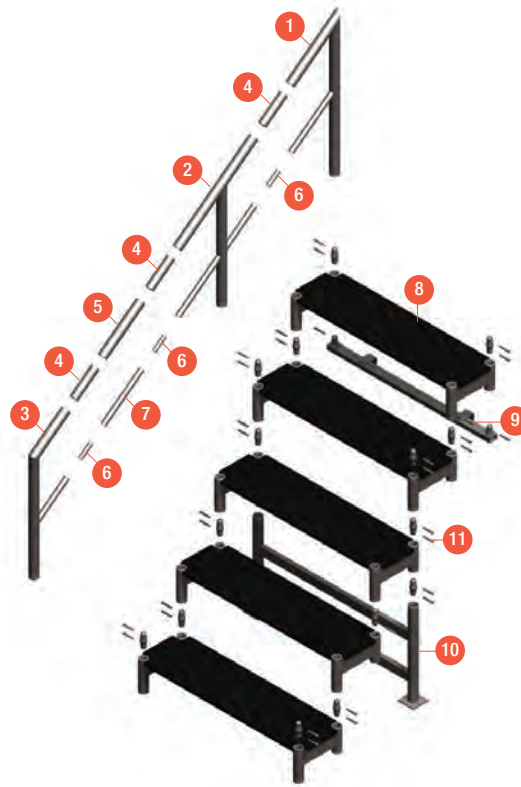
The LiteDeck Modular Step system is designed specifically to offer the greatest flexibility from the smallest number of standard components. In this way, rental companies, event organisers and production teams can

plan incremental investments in the system, confident that they will be able to offer step configurations to suit every eventuality.



Typical step unit configuration

- 1 Handed top rail
- 2 Handed mid rail
- 3 Handed bottom rail
- 4 Expanding spigot Ø50 mm
- 5 Ø50 mm Infill tube for handrail
- 6 Expanding spigot Ø30 mm
- 7 Ø30 mm Infill tube for handrail
- 8 LD-SUM-1 Modular step
- 9 Leg frame
- 10 Hook on step bracket
- 11 Taperlok connection



Code	Components	Step Units											
		2 Step	3 Step	4 Step	5 Step	6 Step	7 Step	8 Step	9 Step	10 Step	11 Step	12 Step	13 Step
LD-MSU	Modular Steps	2	3	4	5	6	7	8	9	10	11	12	13
LD-MHBL / LD-MHBR	Handed Bottom Rails left / right	2	2	2	2	2	2	2	2	2	2	2	2
LD-MHML / LD-MHMR	Handed Mid Rails left / right			2	2	2	2	2	2	2	2	2	2
LD-MHTL / LD-MHTR	Handed Top Rails left / right	2	2	2	2	2	2	2	2	2	2	2	2
LD-30IF314	314 mm Ø30 mm infill tube for Handrail		2		2	4	2						
LD-30IF628	628 mm Ø30 mm infill tube for Handrail						2	4	2				
LD-30IF942	942 mm Ø30 mm infill tube for Handrail								2	4	2		
LD-30IF1256	1256 mm Ø30 mm infill tube for Handrail										2	4	2
LD-30IF1570	1570 mm Ø30 mm infill tube for Handrail												2
50FILL314	314 mm Ø50 mm infill tube for Handrail		2		2	4	2						
50FILL628	628 mm Ø50 mm infill tube for Handrail						2	4	2				
50FILL942	942 mm Ø50 mm infill tube for Handrail								2	4	2		
50FILL1256	1256 mm Ø50 mm infill tube for Handrail										2	4	2
50FILL1570	1570 mm Ø50 mm infill tube for Handrail												2
LD-MLF424	Leg Frame 424 mm			1	1	1	1	1	1	1	1	1	1
LD-MLF994	Leg Frame 994 mm						1	1	1	1	1	1	1
LD-MLF1564	Leg Frame 1564 mm									1	1	1	1
LD-MLF2134	Leg Frame 2134 mm										1	1	1
LD-MHO	Hook On Step Bracket	1	1	1	1	1	1	1	1	1	1	1	1
SP/AES (2)	Expanding Spigot Ø30 mm	2	4	4	6	8	8	8	8	8	8	8	8
AO/AES	Expanding Spigot Ø50 mm	2	4	4	6	8	8	8	8	8	8	8	8
	TaperLok Connection Set*	6	8	14	16	18	22	24	26	30	32	34	38
	Code	LD-SUM2	LD-SUM3	LD-SUM4	LD-SUM5	LD-SUM6	LD-SUM7	LD-SUM8	LD-SUM9	LD-SUM10	LD-SUM11	LD-SUM12	LD-SUM13
	Stage Height (mm)	380	570	760	950	1140	1330	1520	1710	1900	2090	2280	2470

\* Connection Set consists of: 1 Conical Spigot, 2 Taper Pins and 2 R Clips

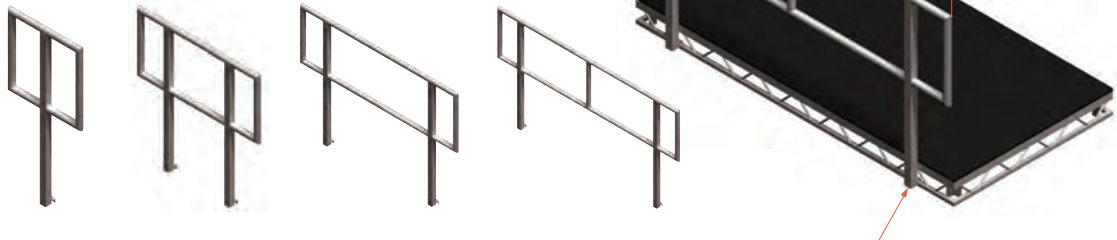
# LITEDECK HANDRAILS

Handrails are a key component in creating safe and useable working platforms. All LiteDeck handrail products are constructed from 6082T6 aluminium section, and are designed to bolt, quickly and securely, to specific mounting points located on the side of each deck. LiteDeck

handrails are available in two configurations, with the appropriate handrail system dependent upon the application and therefore the required legislative conformity.

## OPEN HANDRAILS

This lightweight design is suitable for staging applications where the area will not be used for public access.



### NEEDED FOR ASSEMBLY:

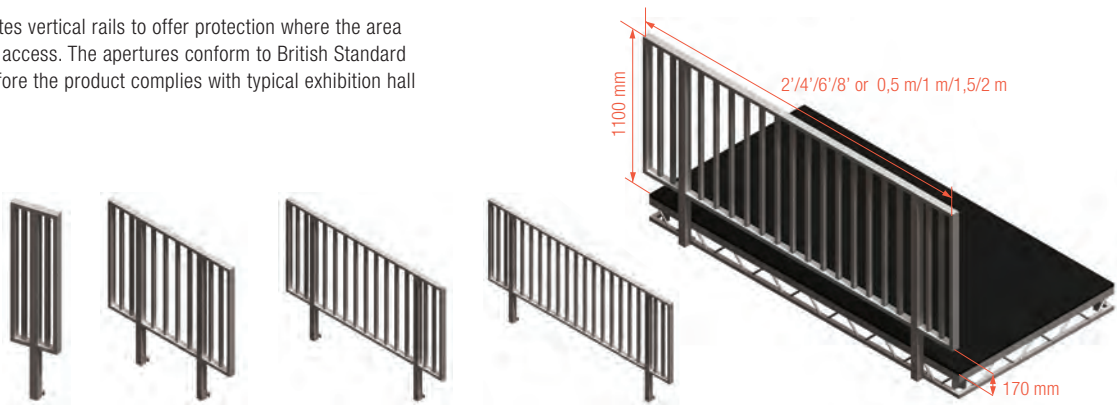
Description:	Code:
M10 x 90, 8.8 DIN931	BM-M10X90
Wsh M10 Spring DIN127B	BM-M10-SW
Nut M10 DIN934	BM-M10-N

Imperial	2' Rail	4' Rail	6' Rail	8' Rail
Length	2'	4'	6'	8'
Weight	3,5 kg	6,4 kg	7,2 kg	8,4 kg
Code	LD-HS2	LD-HS4	LD-HS6	LD-HS8

Metric	1 m Rail	2 m Rail
Length	1000 mm	2000 mm
Weight	6,14 kg	7,8 kg
Code	LD-MH51	LD-MH52

## SPOKED HANDRAILS

This design incorporates vertical rails to offer protection where the area will be open to public access. The apertures conform to British Standard regulations and therefore the product complies with typical exhibition hall stipulations.



Imperial	2' Rail	4' Rail	6' Rail	8' Rail
Length	2'	4'	6'	8'
Weight	6,2 kg	12,3 kg	15,3 kg	18,6 kg
Code	LD-HS2E	LD-HS4E	LD-HS6E	LD-HS8E

Metric	1 m Rail	2 m Rail
Length	1000 mm	2000 mm
Weight	10,8 kg	16,1 kg
Code	LD-MHS1E	LD-MHS2E

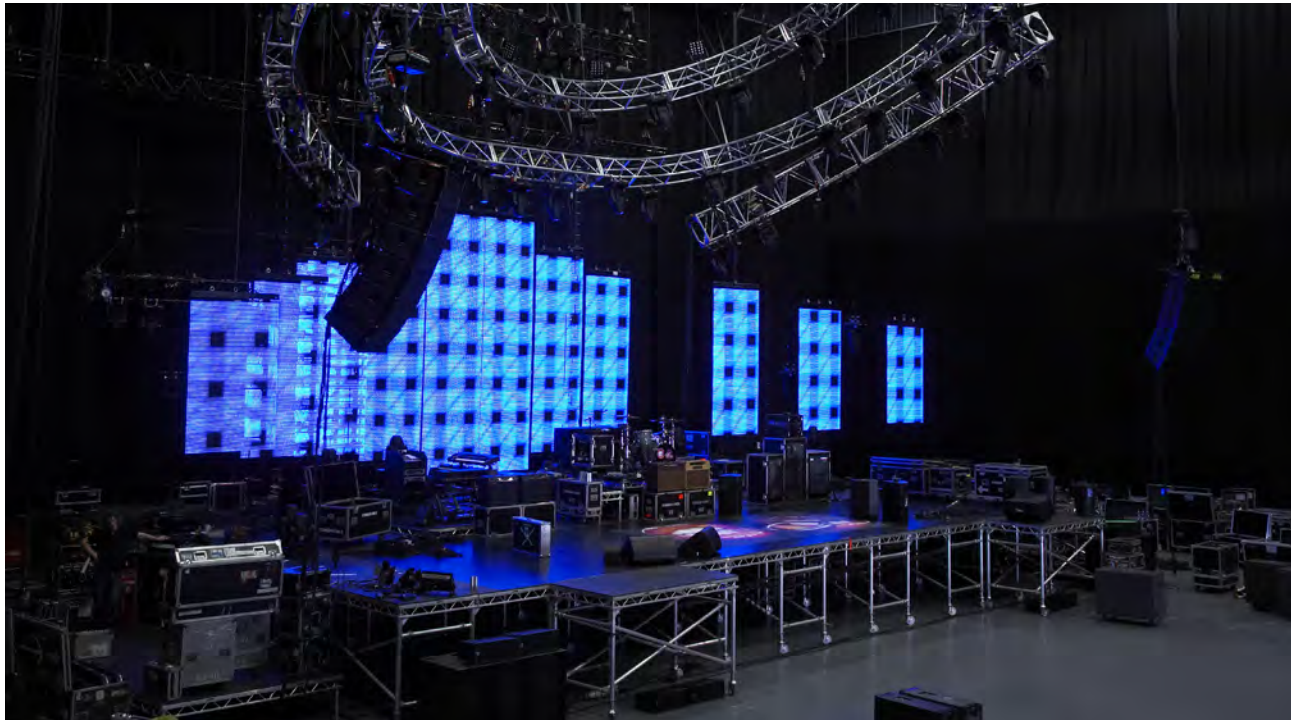


Photo: Stereophonics.

The LiteDeck range is further enhanced by a range of accessories designed specifically to increase the speed and ease of build whilst maintaining the inherent safety aspect of any stage design. Many of these

LiteDeck accessories have been developed on tour, and as such are both quick to use and extremely robust.



Description:	Code:	Self Weight:
Leg Top 4	LD-SEP	1,74 kg

All aluminium and designed to retain a 5kN rating on all decks, LegTop 4 allows four coinciding decks to all be connected to just one leg frame. This is particularly useful in allowing a walk through configuration of LiteDeck RollingStages.



Description:	Code:
M10 x 70, 8.8 DIN931	BM-M10X70



Description:	Code:
Wsh M10 Spring DIN127B	BM-M10-SW



Description:	Code:
Nut M10 DIN934	BM-M10-N

# LITEDECK TYPICAL CONFIGURATION



Photo: Courtesy of 46664 federation

## STATIC STAGE

Many applications, such as theatre, school or conference stage sets, require a robust fixed configuration which may be left in place for weeks or even months. The image below shows the LiteDeck system in a typical

fixed configuration, with a representative combination of handrails, legs and leg frames isolated for your information.

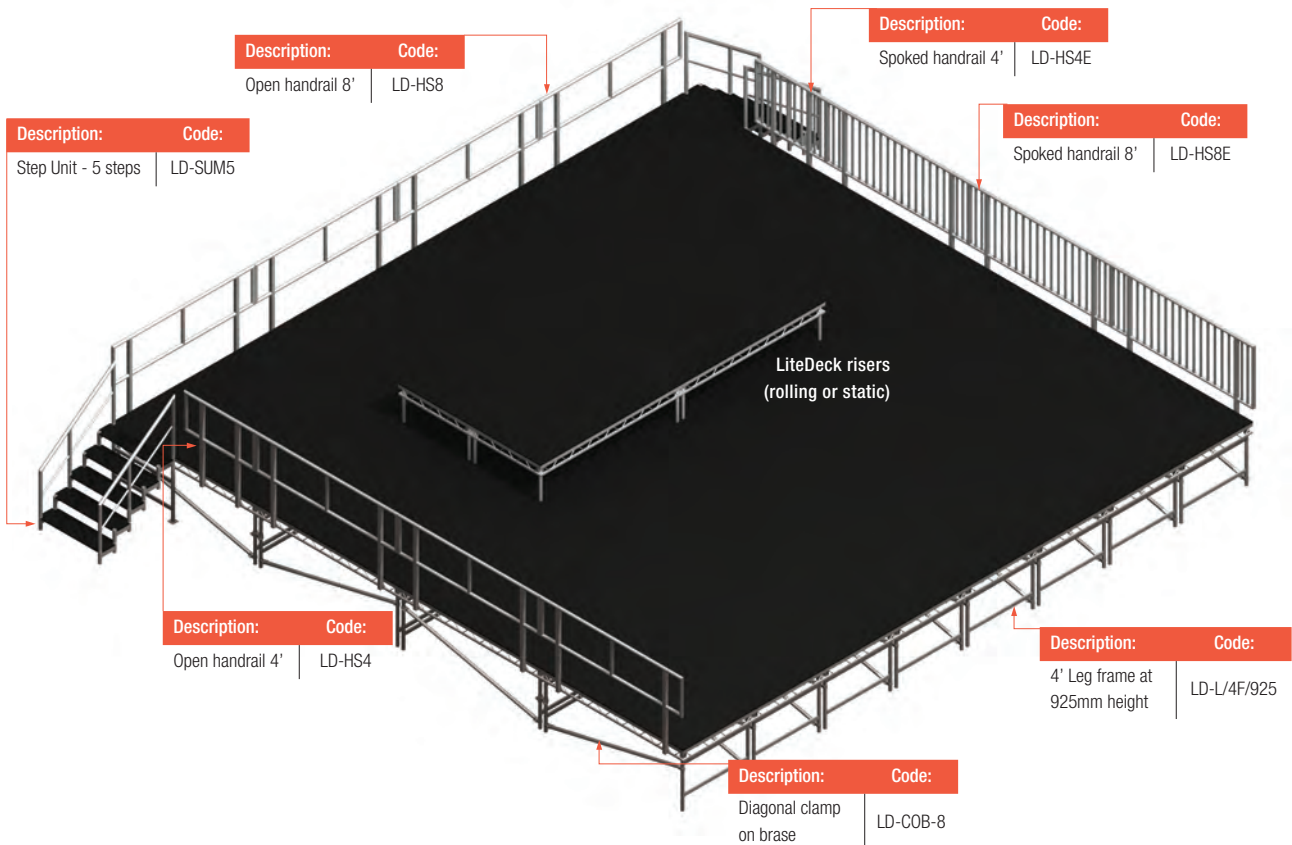




Photo: Kimix, Minsk

**ROTATINGSTAGE**

Prolyte's fully integrated, "plug & play" revolving system adds a dynamic dimension to your stage design. The Prolyte RotatingStage offers flexible sizes, step-less variable speed control, and innovative construction for effortless setup and dismantling.

**System description:**

The RotatingStage consists of 4 basic parts:

- The base frame, incl. screw jacks.
- The central bearing ring.
- Top frames for 2, 4 and 6 m diameter stage, with integrated wheels, motor and controller.
- Plywood top board

**System advantages:**

- Lightweight due to aluminium frames.
- Flexible measurements, the modular frames are easy extendable from 2 to 6 m diameter.
- Short building time required, due to clever connection and integrated parts.
- User friendly control due to plug and play motor and control unit.
- All levelling and connection is done from topside.

**Technical Specifications RotatingStage**

Measurements	Available in 2, 4 and 6 m. diameter
Height	200 mm, adjustable to 220 mm
Soft start/stop	Frequency controlled motor
Maximum Point load	210 kg (minimum area 50 x 50 mm)
Base frame	Steel base frame and central bearing ring
Top board	Aluminium top frames with integrated wheels
Tooling	21 mm plywood unfinished
	Hexagon key 12 mm, Wrench 12 mm

**More information on request**



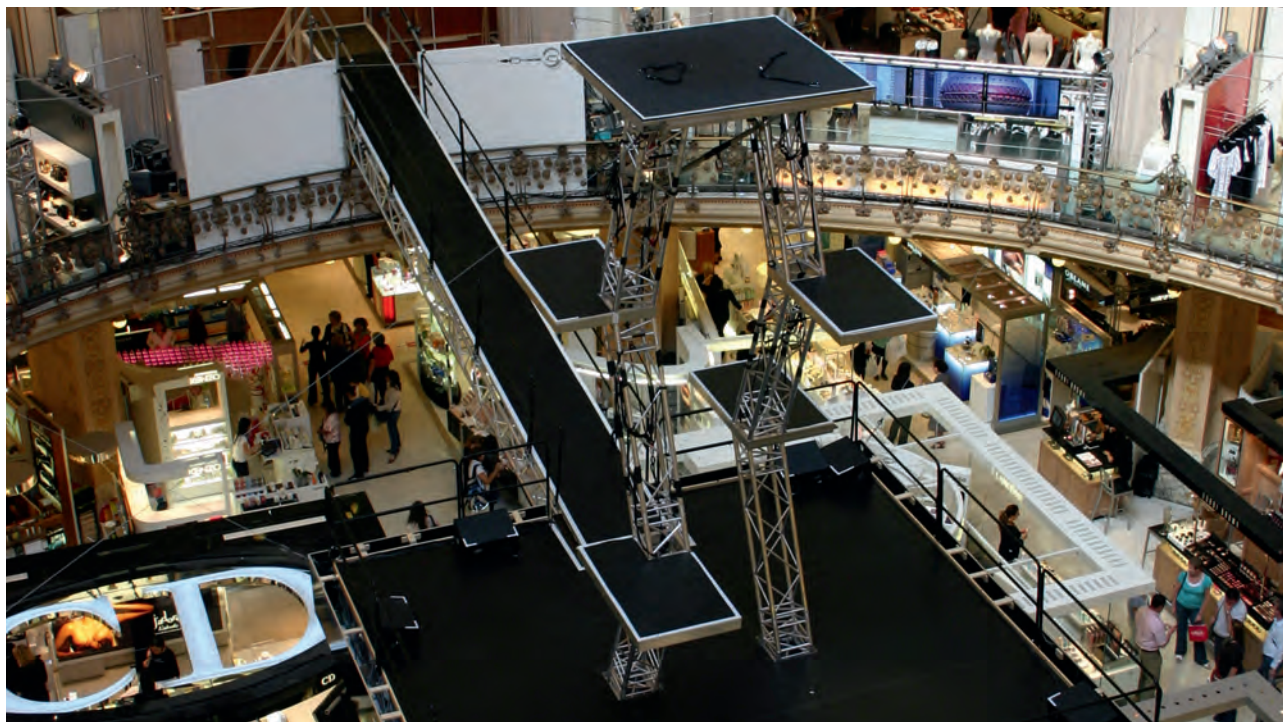


Photo: Rigging Services, UK. Project Galleries Lafayette

StageDex is based on a special extruded aluminium profile. The top board is bolted and glued to the frame to reduce noise and vibration. All decks are available in metric and imperial sizes.

### TOP LINE FRAME

- Internal reinforcement of corner
- Standard spigot entry on the topside of the deck to attach EasyRail system
- Birch plywood, special water resistant quality

### BASIC LINE FRAME

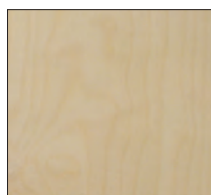
- Top option; Birch plywood, unfinished, indoor use only.
- Top option; Birch plywood, clear varnish, indoor use only.
- Top option; Birch plywood, black coating, indoor use only.



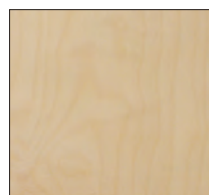
**SM-D-T**  
Birch plywood, anti skidding top layer, non permanent outdoor use



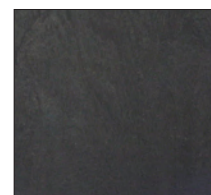
Top line frame, reinforcement corner



**SM-DL-U**  
Birch plywood, unfinished, indoor use only



**SM-DL-C**  
Birch plywood, clear varnish, indoor use only



**SM-DL-B**  
Birch plywood, black coating, indoor use only



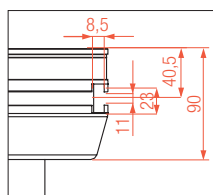


Photo: Extreme, Jordan

### SPECIAL TOP OPTION

- Luxurious transparent decks for special applications. The transparent top board is made from durable, scratch-resistant Acrylic.
- High load resistance, 500 kg/m<sup>2</sup>
- Can be combined with regular StageDex.
- Clear / acrylic
- Frosted / acrylic
- Maximum allowable temperature 70°C

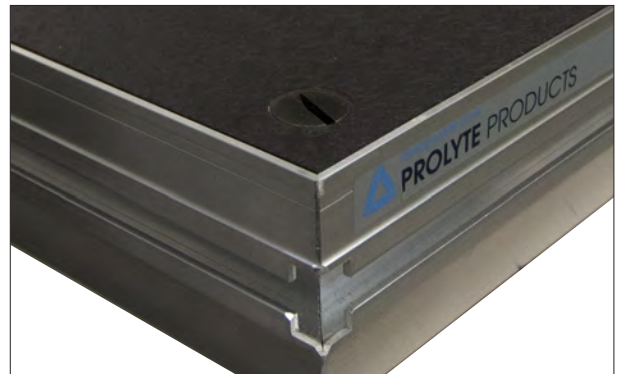
For both StageDex types different types of top board can be supplied on request. Contact our Internal Sales department for more information.



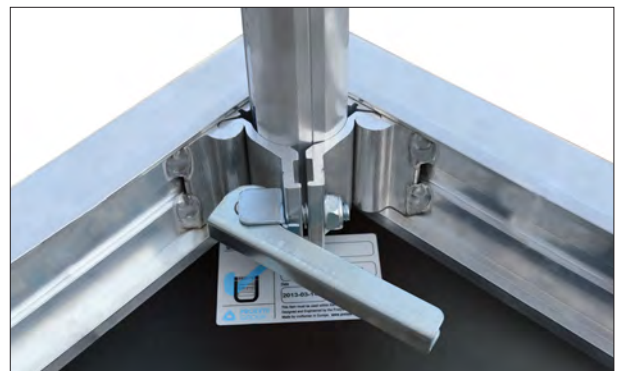
**SM-DL-D** Clear  
**SM-DL-DF** Frosted

### CLEVER PARTS THAT MAKE THE DIFFERENCE

1. Choose a top line frame to have the advantages of a top-based spigot entry, which allows simple and efficient mounting of handrails.



2. The universal leg fitting can hold square as well as round types of legs and fixates with one simple handle. The multifunctional profile offers several add-ons.



# TECHNICAL SPECIFICATIONS AND ALLOWABLE LOADS

## DEFINITION

Currently there are no strict definitions for a stage as used in the entertainment market. A stage or stage floor as discussed here is essentially a temporary raised platform to accommodate performances of any kind at public or private events.

## APPLICATION

Stages, stage floors, raised floors and raised seating areas are used in the event, hotel and exhibition market, a broad business sector that encompasses (but is not restricted to) all activities for leisure and sports, arts and cultural performances, amusement, or the presentation of products.

### Allowable loading for different leg types

LEG TYPES	UNIFORMLY DISTRIBUTED LOAD kg/m <sup>2</sup>				
	80 cm	100 cm	120 cm	160 cm	180 cm
<b>StageDex:</b> Tube 48,3 x 3 (EN AW 6082 T6)	750	500	500	350	n.a.
<b>LiteDeck:</b> Tube 48,3 x 4 (EN AW 6082 T6)	750	750	500	500	350
Profile 40 x 40 x 3 (EN AW 6082 T6)	750	500	500	500	350
Tube 48,3 x 3 (S235JR)	750	750	500	500	500
Telescopic leg	stage height 450 mm - 1400 mm 750 - 350 kg/m <sup>2</sup>				
	450 < 800 mm	800 < 1200 mm	1200 < 1400 mm		
	750 kg	500 kg	350 kg		

n.a. = not allowed  = Prolyte standard tube  
all data based on a standard deck of 2 x 1 m

Calculated with 1/10 of the vertical load transferred into a horizontal load (conform DIN 15921 / EN 13814)

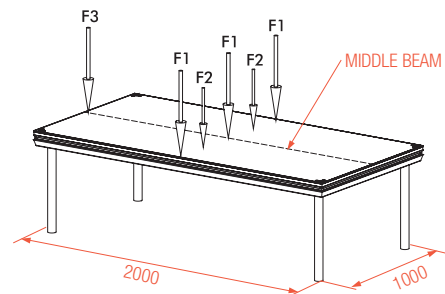
### Loading types (for all decks except Acrylic)

Uniformly distributed load	750 kg/m <sup>2</sup>
Pointload F1	350 kg
Pointload F2	210 kg
Pointload F3	500 kg

The pointload should be applied to a minimum area of 50 x 50 mm.  
Pointload to be placed as indicated on drawing. 1 pointload total allowed.

### Technical Specifications

Types	standard, standard arched, basic
Frame	Aluminium (EN AW 6063 T6)
Top board	Plywood
Legs	48,3 x 3 mm (EN AW 6082 T6)
Legs with adjustable feet	48,3 x 3 mm (EN AW 6082 T6), with steel spindle on pvc base
Telescopic leg	48,3 x 4 / 60 x 5 mm (EN AW 6082 T6)
Maximum load	750 kg/m <sup>2</sup> UDL
Self weight	35,6 kg



## DO

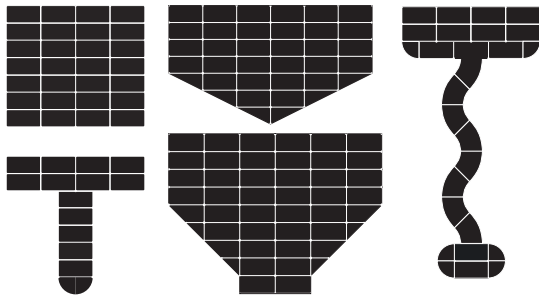
- Check to ensure the stage floor is properly aligned and completely level.
- Check the application conditions of your stage, as the type of use is directly related to safety issues like handrails.
- Brace your staging legs when needed for stability.
- Make sure all stage elements are interconnected.
- Take notice of local regulations for stages and allowed purposes.
- Store StageDex upside down to decrease setup time.
- Maintain your StageDex at regular intervals.
- Inform your crew beforehand on safety procedures (like evacuation procedures) in case of emergency situations.
- Make sure your construction is properly grounded.

## DO NOT

- Use materials in poor condition, the payload might be reduced substantially.
- Apply loads before knowing their exact weight and size.
- Exceed the maximum allowable load.
- Use unfinished StageDex top board in outside conditions.
- Exceed the maximum building height of the stage or its support frame.
- Use the hang-on profile without reducing the maximum allowable payload.
- Build your stage on unstable ground.
- Use StageDex elements as ballast for your roof without using the proper support frame.

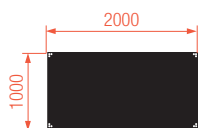
## NEED TO KNOW MORE?

Please go to [www.prolyte.com](http://www.prolyte.com) for more technical information on StageDex systems, manuals and loading tables. In the Prolyte BlackBook (technical background information) we provide more in-depth technical knowledge on stages and stage floors.

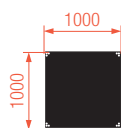


## USE YOUR IMAGINATION

What if the systems flexibility would not limit your imagination in designing and building staging constructions? StageDex offers endless flexibility to create the designs you require, a variety of standard sizes and shapes as well as easy and often tool less mounting makes construction an easy task.



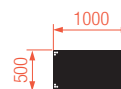
SM-D-T-200100



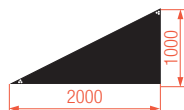
SM-D-T-100100



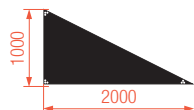
SM-D-T-200050



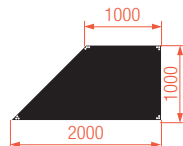
SM-D-T-100050



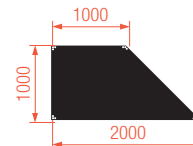
SM-D-T-5L



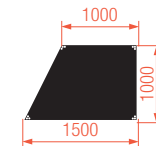
SM-D-T-5R



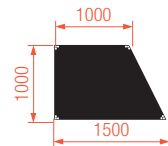
SM-D-T-6L



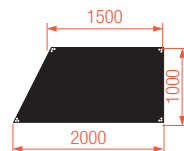
SM-D-T-6R



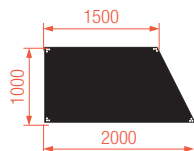
SM-D-T-7L



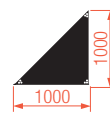
SM-D-T-7R



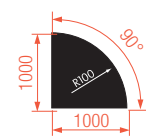
SM-D-T-8L



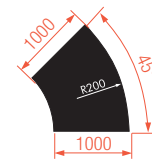
SM-D-T-8R



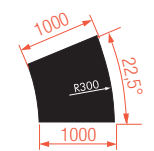
SM-D-T-9



SM-D-T-R100



SM-D-T-R200



SM-D-T-R300

## CIRCULAR STAGES

The Prolyte Group is able to fabricate circular stages that are actually based on curved segments. Each section or segment is handbuilt by our craftsmen, therefore small differences in size and shape may occur.



## STANDARDS

Standards that apply to stages and temporary constructions:

DIN EN 1990 / Eurocode 0	Basis of structural design
DIN EN 1991 / Eurocode 1	Actions on structures
DIN EN 1993 / Eurocode 3	Design of steel structures
DIN EN 1995 / Eurocode 5	Design of timber structures
DIN EN 1999 / Eurocode 9	Design of aluminium structures
DIN EN 13814	Fairground and amusement park machinery and structures - safety
DIN 15921	Entertainment technology - Aluminium platforms and frames - Safety requirements and testing

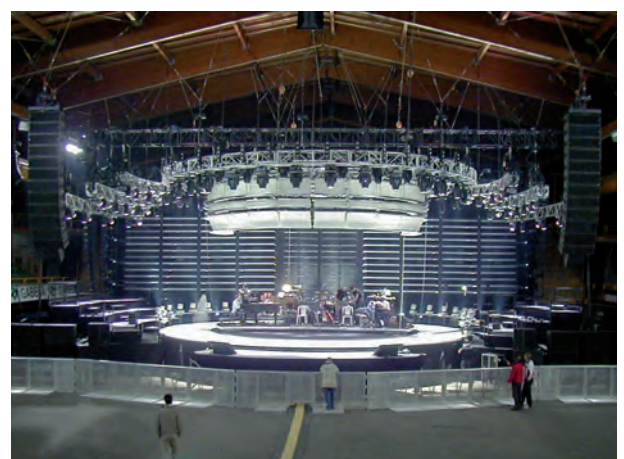


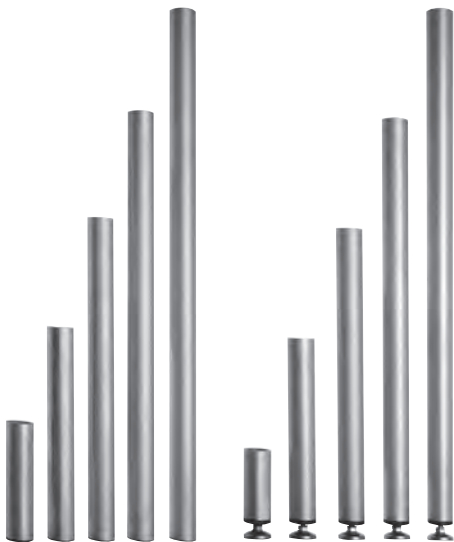
Photo: Decima SRL, Padova, Italy, Scenographer Santucci Claudio

# LEG TYPES

The StageDex leg attachment system provides a straightforward yet ingenious engineering solution that assures fast, safe stage constructions.

- No tools needed
- The legs are fitted to the deck frame and are fixed in position by one simple handle
- Round as well as square legs can be mounted in the leg attachment system

Notice: The types of legs, and the length of the legs that are used, will determine the amount of loading that is allowed. Be sure to always check the loading table before you apply any loads to the decks.

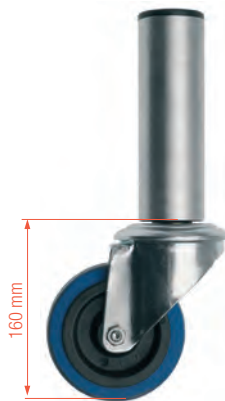


### STANDARD LEGS

Round aluminium tube 48,3 x 3 mm in heights of 200-1000 mm.  
Code: SM-L-●●A

### ADJUSTABLE LEGS

Round aluminium tube 48,3 x 3 mm in heights of 200-1000 mm, with adjustable feet. Maximum angle of 5°.  
Code: SM-L-●●A-ADJ



### LEGS WITH FITTED CASTORS

Round aluminium tube 48,3 x 3 mm in heights of 300-1000 mm, with castor. Maximum of 160kg per leg with castor.

- Code: SM-L-●●-CAS-01 = single leg with castor  
 SM-L-●●-CAS-02 = single leg with castor/brake  
 SM-L-●●-CAS-03 = double leg with castor  
 SM-L-●●-CAS-04 = double leg with castor/brake



### TELESCOPIC LEGS

StageDex unique telescopic leg combines adjustable height and high loading capacity.

- Sturdy road-rugged mechanism
- Build-in tape measure for easy mounting

### HOW DOES IT WORK?

- Release the two M10 hexagon socket head screws or crank handles.
- Extend the leg to its required length
- Lock the leg at both positions to guarantee optimal grip of the telescopic mechanism
- Measurements on the inside of the profile indicate the total length of the leg and safe operating areas
- Rubber leg caps prevent damage to your flooring system

### CODE

SM-L-45/60-ADJ  
Telescopic leg 450-600 mm.

SM-L-60/90-ADJ  
Telescopic leg 600-900 mm.

SM-L-90/140-ADJ  
Telescopic leg 900-1400 mm.

SM-L-ACC-01  
Crank M10x25 for telescopic leg.  
This can be used instead of the screws.



## STAGEDEX RAMP

Designed to further expand the possibilities of the StageDex range, the multipurpose StageDex Ramp offers a perfect solution for rolling equipment on and off stage, wheelchair access, or more creative applications such as car shows, walkways and fashion catwalks.

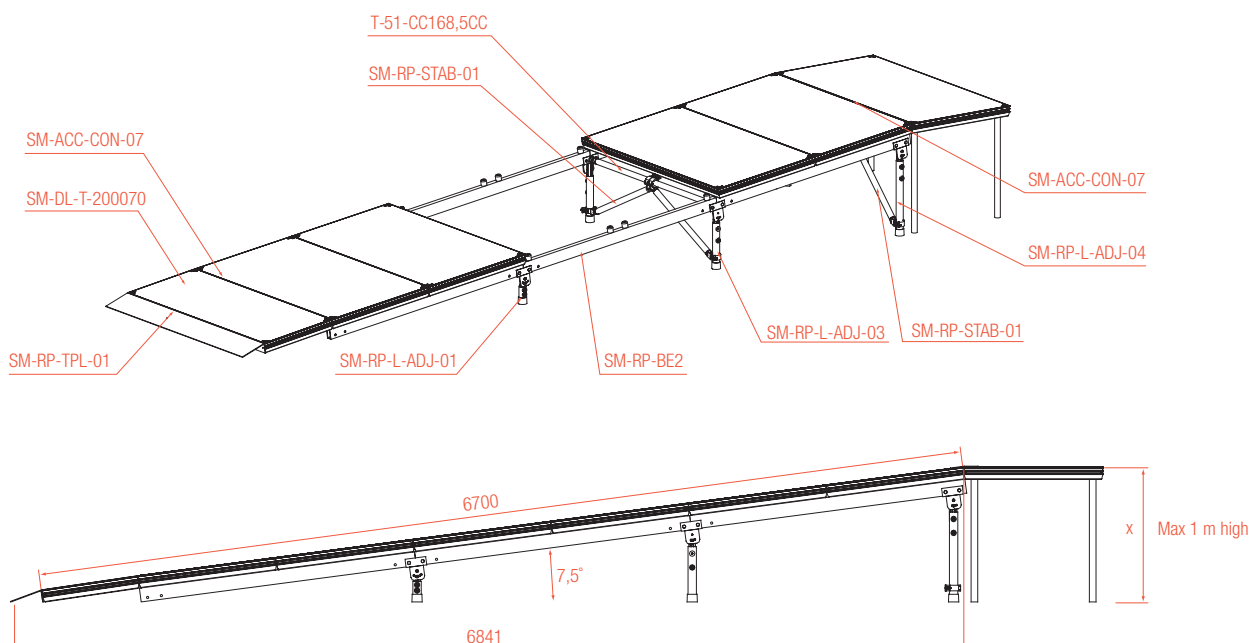
The StageDex Ramp comprises three basic elements:

- Standard StageDex staging
- Adjustable legs fitted with stabilizers (SM-RP-L-ADJ-...)
- Aluminium side profiles (SM-RP-BE2)

The specially designed side profiles have been engineered to absorb the forces from heavy loads, such as cars, meaning the StageDex Ramp

can withstand up to 750 kg/m – the same allowable loading as standard StageDex staging.

The Ramp has a standard sloping angle of 7,5 degrees, but is adjustable between 0 and 22 degrees using a plate connected to the legs. This system ensures the resulting forces from loading are transferred at the correct angle into the leg. Notches on top of the profiles keep the staging in place once the ramp is built. A standard coupling profile allows the sloping section to be connected to staging at either end.





Photos: Prolyte Sales BV,

## EASYFRAME B

### System Description:

EasyFrame B is a support frame suitable for indoor or outdoor use. The frame racks are available in several heights and lengths. The frames connect to the legs with a standard 4-way connection by means of a locking pin. Due to the closed topside, assembly is possible with only one technician. After positioning, the frames are stable and freestanding, and will not topple over. Spindle feet, placed in the bottom of the frames, make it possible to level the stage at an exact position and to vary the height of your stage floor.

### Code:

SM-F-B-R• 000100, rack 1000 mm height, minimum stage floor height variable between 1200-1600 mm.

SM-F-B-R• 000150, rack 1500 mm height, minimum stage floor height variable between 1700-2100 mm.

SM-F-B-R• 000200, rack 2000 mm height, minimum stage floor height variable between 2200-2600 mm.

### Advantages:

- Can absorb horizontal forces resulting from eventual wind forces on the roof.
- Interfaces for all Prolyte roof systems available.
- Fit for various brands of staging by using special adapters to secure your decks.
- The maximum allowable load of 750 kg/m<sup>2</sup> and 10% horizontal load are guaranteed.
- Standard stage elements provide your stage floor.
- Fast assembly, no tools and a minimum amount of loose parts.

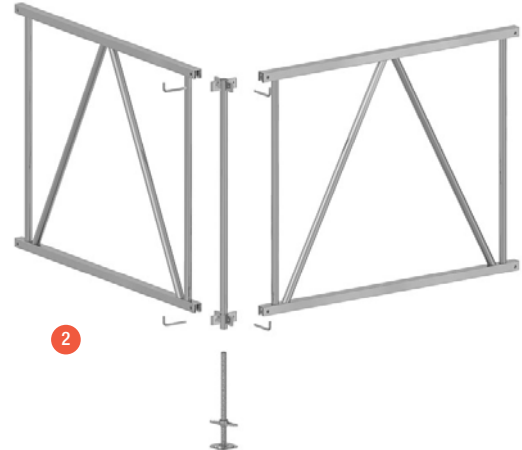
### Ballast system:

Stages are often used in combination with temporary roof structures. If used correctly, the weight of your stage floor may lower the ballast values of your roof construction. The EasyFrame B support system is constructed such that the complete stage floor is interconnected. If the stage is lifted at one end, the complete stage will be lifted. Only constructions that comply with these criteria may act as ballast system for roof constructions. Apart from this fact, the EasyFrame B is suitable to absorb the horizontal forces resulting from the base sections of the roof towers. Prolyte can supply interfaces for the smaller Prolyte roof systems.



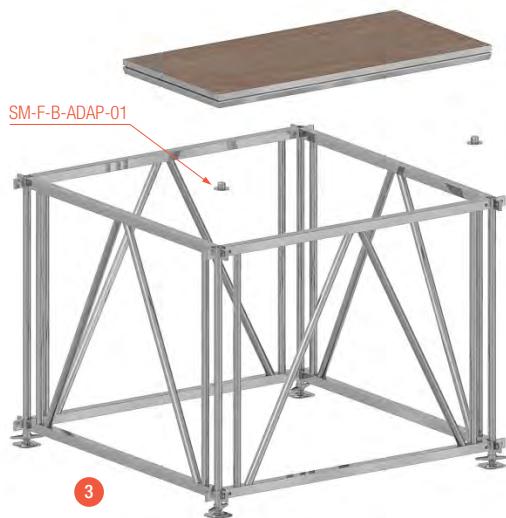
### STEP 1

Place the leg with 4-way joint (SM-F-B-L....) where wanted. The leg is available in lengths of 1000 mm, 1500 mm and 2000 mm.



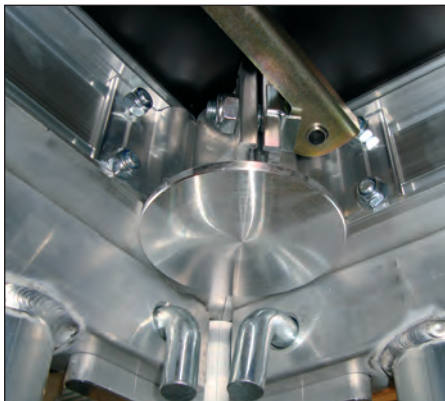
### STEP 2

Connect the frame rack (SM-F-B-R....) to the leg and fix with the L-pin (SM-F-A-LP16). The ladder frames connect to the 4-way joint by means of a pen/fork connection which is closed on the top side (the fork "rests" on the pen). After positioning, the parts can stand free, without toppling over. This makes the assembly of the locking pin easy.



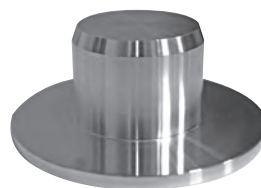
### STEP 3

Place the deck-to-frame adapter (SM-F-B-ADAP-01) in the leg fittings of your deck. Place the decks on top of the assembled frames. Level the stage by means of the spindle feet in the legs.



### DECK-TO-FRAME ADAPTER

In order to safely mount the decks to the EasyFrame B system, Prolite has developed the deck-to-frame adapter. This adapter is mounted in the leg connection and prevents any horizontal movement of the decks.



(SM-F-B-ADAP-01)



Photo: Scenos Techninis Servisas, Black Sea Arena, Georgia.

## EASYFRAME C

### System Description:

Based on customer experience, Prolite created a new, multipurpose support frame that provides the ultimate in configuration flexibility. EasyFrame C is equally adaptable to use for stages, seating areas or tribunes.

### A strategic investment:

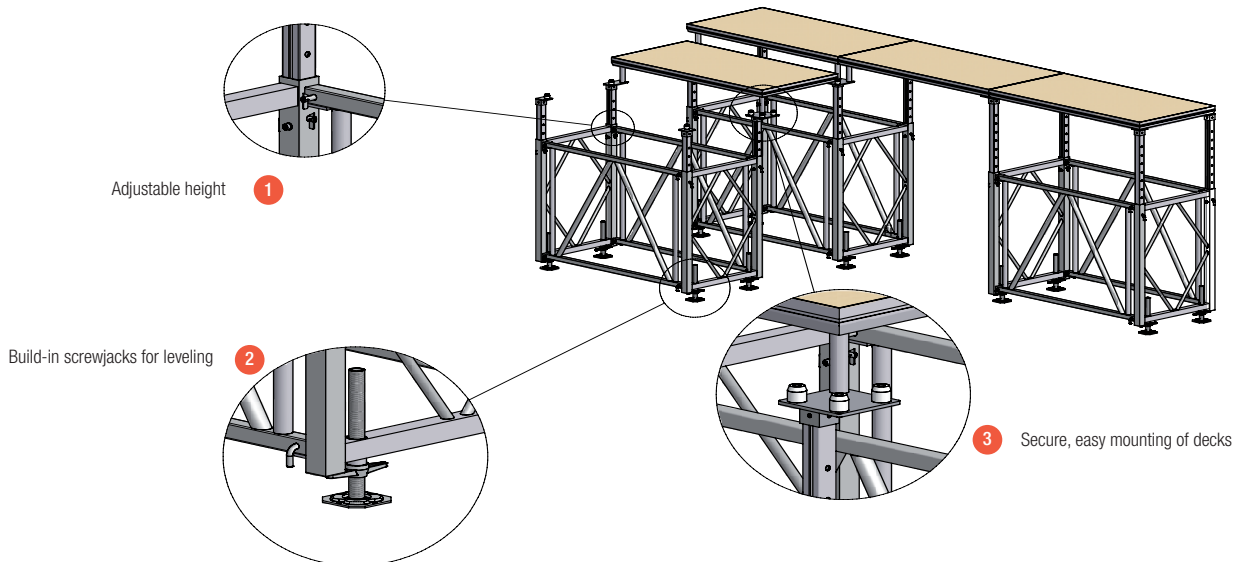
The StageDex EasyFrame C can be used for flat stages as well as raised platforms or bleachers (tribunes). This makes the initial investment very economical, since only one system needs to be purchased for several applications. Ease of assembly also reduces build-up times. Free corridors, which can be created under the stage, allow for handy storage space for your empties and also serve as the ideal location for dimmer city or other uses.

### Easy does it:

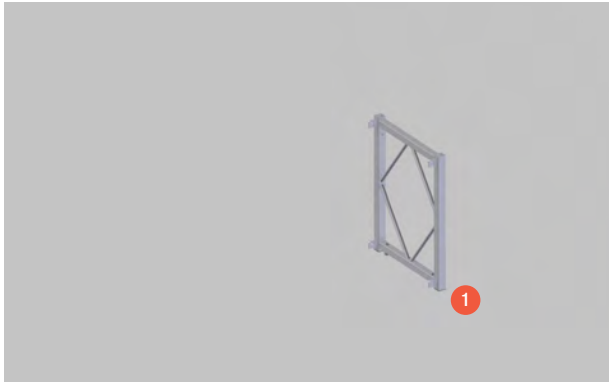
The setup of an EasyFrame C is fast, straightforward and requires only one tool. Due to the use of lightweight material, only one technician is needed to handle each part.

There are two basic types of EasyFrame C: sub frame 1 varies in height between 100-150 cm, while sub frame 2 varies between 160-270 cm. All intermediate steps are either standard or tailor-made by means of the hole distance in the inside legs.

Optional screw jacks provide levelling, or optional castors give you the opportunity to build a RollingStage as well. Standard StageDex are fitted to the top of the EasyFrame C system with a StageDex adapter, which fixes the decks horizontally as well as vertically.

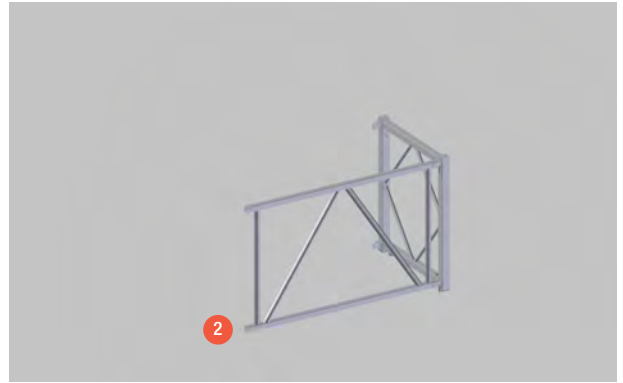






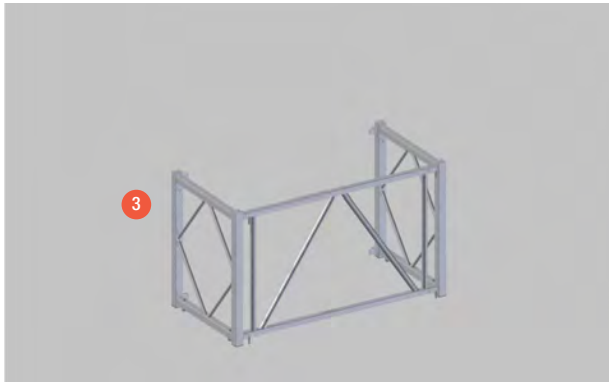
### STEP 1

Place the base frame (SM-TRB-F-..) at your desired starting point. Frames are available in heights: 1000 – 1500mm (number 01) or 1600 – 2700mm (number 02).



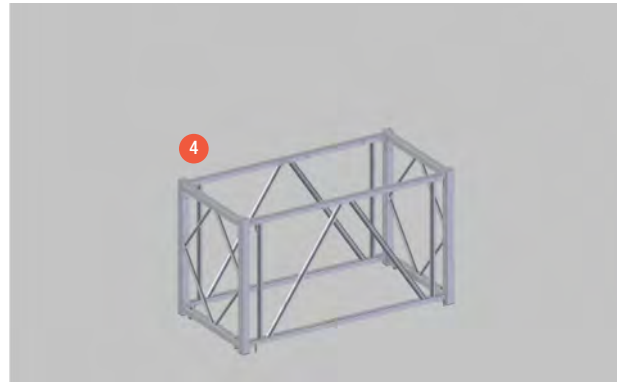
### STEP 2

Connect the side frame (SM-TRB-F-B-..) to the base frame with the L-pins (SM-F-A-LP16). After positioning the parts can stand free, without toppling over. This facilitates easy assembly of the locking pin.



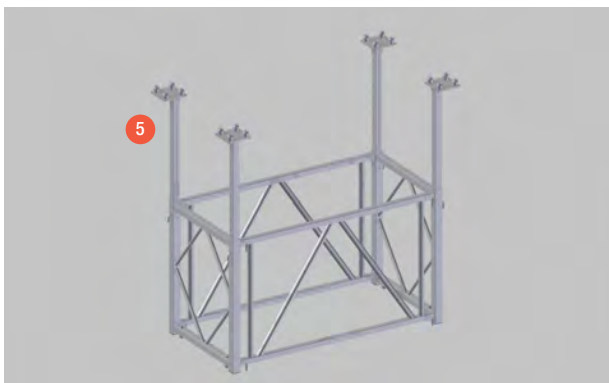
### STEP 3

Connect the second base frame to the assembly, using the L-pins.



### STEP 4

Connect the final side to the assembly, using the L-pins.



### STEP 5

Insert the extendable legs (SM-TRB-ADJ-LEG-..) in the base frames. Adjust them for the correct height and then secure them with the L-pin.



### STEP 6

Place your decks on top of the deck adapters (SM-TRB-D-ADAP-..).





Photo: Prolyte Sales, Space Roof training Starlight

**SYSTEM DESCRIPTION**

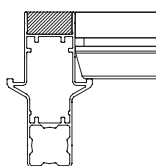
Probeam offers an economical and innovative system that combines the benefits of both scaffolding and StageDex staging systems. The Probeam main beam has wedge head couplers on both ends that connect simply by sliding the wedge head over the rosette and inserting the wedge into the hole. The Probeam cross beam has extended support ridges to fit the Probeam main beam. The exceptional strength and high stability of the Probeam guarantees symmetrical and foolproof construction.

**SYSTEM DETAILS**

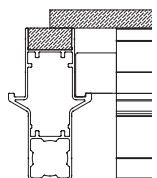
- Probeam main beam available in lengths of 1000 mm, 2000 mm and 1036 mm and 2072 mm.
- Probeam cross beam available in lengths of 1000 mm, 2000 mm and 1036 mm and 2072 mm.
- The main and cross beams can be ordered without wood, with basic line wood black or with a top line wooden inlay.
- Covers can be ordered in 3-way and 4-way version, with or without centre hole.

**SIMPLE, FLEXIBLE, CONVERTIBLE**

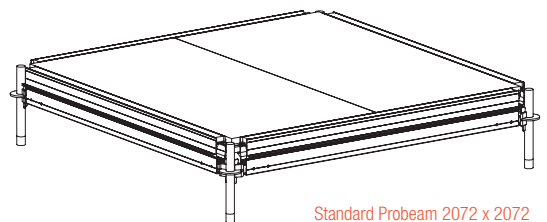
The Probeam is designed for two different applications:



1 The Probeam converts the scaffolding system measurements (2072 mm) into the metric StageDex system, to create a floor on scaffolding size. The Probeam is fitted with a wooden inlay to overcome the 72 mm difference.



2 The Probeam system combined with a wooden inlay can be used as supporting frame when normal plywood is used as flooring system.



Standard Probeam 2072 x 2072





### PRODUCT DESCRIPTION:

Being one of the major suppliers of temporary roof and staging systems, Prolyte Group products are often used in combination with Layher systems. To facilitate the work of our users when building a stage, ProlyteStructures has developed a system to integrate roof system towers and base sections in a Layher stage floor. By integrating and interconnecting these two systems you can create a safe and secure stage system.

### ADVANTAGES:

- Significant ballast reduction; the self weight of the stage can be subtracted (when the stage is sufficiently braced)
- Lateral forces through guy-wiring or wind on the tower sections are absorbed by the substructure
- Clean and even building area for the roof system
- Towers are all built on the same height
- No need to invest in standard base sections
- 100% flexible in x/y direction

ProlyteStructures has created a fully flexible and x/y axis adjustable base system, to take into account that the number of combinations between tower position, stage floor height and position compared to the side of the stage floor are endless.

The size and strength of the components derives from a maximum load structural analysis for the standard LT and ST roof systems. The beams are fitted with a special non-friction based sliding system to allow horizontal forces as well as vertical forces. The frames are utilised to hold cross beams to accommodate additional ballast. All steel frames are delivered with black powder coating.

### MORE INFORMATION ON REQUEST





Photo: Metro Productions LTD New Zealand. Project: King Kong premiere in Wellington.

**EASYRAIL**

**System Description:**

Handrails and other accessories from the EasyRail range can easily be attached to the decks by inserting a spigot in a pre-bolted hole on each corner of the deck. This makes it possible to assemble the rails after the decks are built, as they are fully independent of the sides or the underlying constructions of the stage.

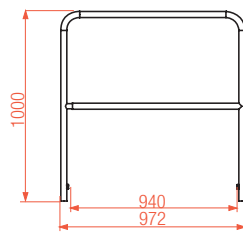
For the basic line decks, StageDex has developed special adapters for the spigots, which slide into the side profiles of the decks. The EasyRail comes in two different versions, both in compliance with the applicable standards (DIN 15921).



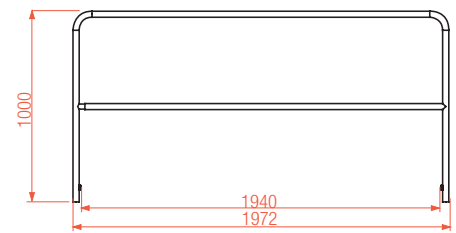
EasyRail mounted on top line deck.



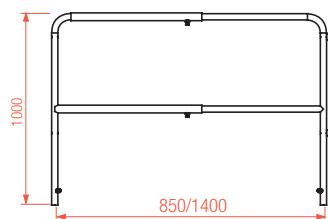
EasyRail mounted on basic line deck.



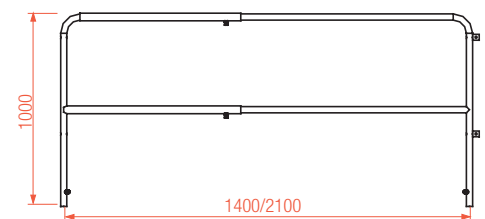
EasyRail railing, SM-RAIL-L100.



EasyRail railing, SM-RAIL-L200.



EasyRail railing, SM-RAIL-L85/140.



EasyRail railing, SM-RAIL-L140/210.

## EASYRAIL 30 KG/M - BASIC LINE DECK



## EASYRAIL 30 KG/M

The light-duty version of the EasyRail can resist a horizontal loading of 30 to 60 kg/m. This railing type can be used for stages or areas with no public access. This is the case for most commonly used stages. For top line decks, the railing can be easily mounted on top of the decks by simply bolting a 26 mm spigot to the pre-drilled hole. The railing is available in a fixed and an adjustable type.

### FIXED RAIL

SM-RAIL-L100, length 1000 mm.  
SM-RAIL-L200, length 2000 mm.

### ADJUSTABLE RAIL

SM-RAIL-L85/140, adjustable from 850 to 1400 mm.  
SM-RAIL-L140/210, adjustable from 1400 to 2100 mm.



Description: Spigot for handrailing  
Code: SM-RAIL-ATT-04

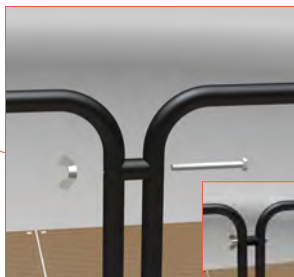
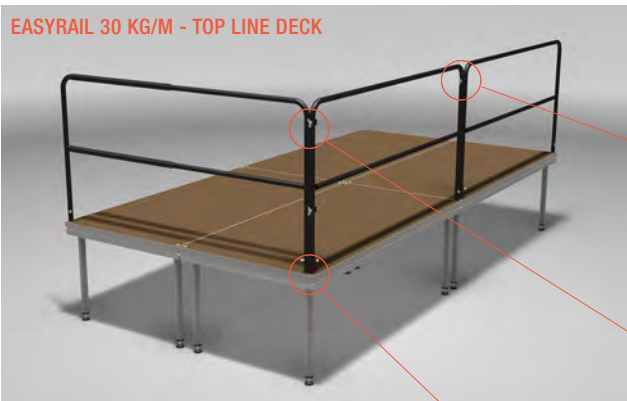


Description: Spigot for handrailing  
Code: SM-RAIL-ATT-04



Description: Spigot for handrailing  
Code: SM-RAIL-ATT-04

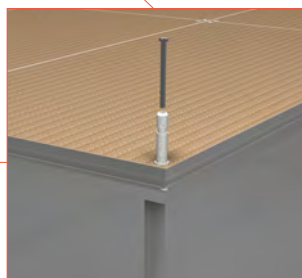
## EASYRAIL 30 KG/M - TOP LINE DECK



Description: Railing connector  
Code: SM-RAIL-CON



Description: Spigot for handrailing  
Code: SM-RAIL-ATT-01



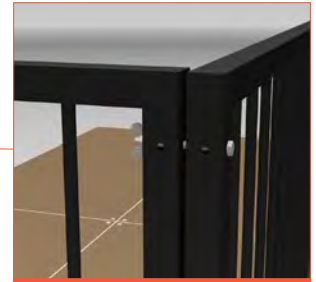
Description: Spigot for handrailing  
Code: SM-RAIL-ATT-01  
Bolt M12x150  
Code: BM-M12x150



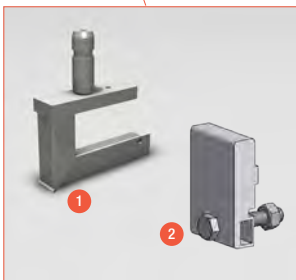
Description: Bolt M10x55  
Code: BM-M10x55  
M-10 Wingnut  
Code: BM-M10WNUT  
M-10 Springwash  
Code: BM-M10-SW



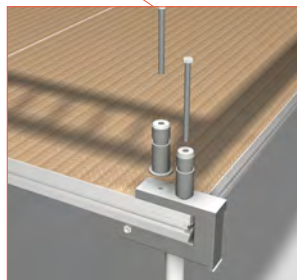
### EASYRAIL 100 KG/M



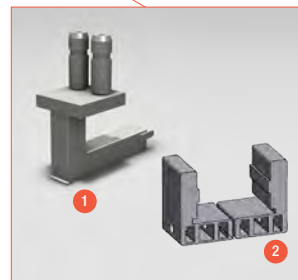
Description:	Code:
Bolts	BOLT M10X130
Nuts	M10 WINGNUT + WASHER



Description:	Code:
Spigot attachment	1 SM-RAIL-ATT-08 2 SM-RAIL-ATT-08-01
For EasyFrame B	SM-RAIL-ATT-03
For EasyFrame C	SM-RAIL-ATT-06



Description:	Code:
Spigot for handrailing	SM-RAIL-ATT-02
1x Bolt	BM-M12x140
1x Bolt	BM-M12x180



Description:	Code:
Spigot attachment	1 SM-RAIL-ATT-09 2 SM-ACC-CLP-06
For EasyFrame B	SM-RAIL-ATT-05
For EasyFrame C	SM-RAIL-ATT-07



Description:	Code:
2x Bolt	BM-M12x180

### EASYRAIL 100 KG/M

The heavy-duty version of EasyRail can resist a horizontal loading of 100 to 200 kg/m. This railing type can be used in all circumstances, including portions of the staging with public access, as the railing is in compliance with the applicable regulations. The railing can be easily mounted on top of the decks by simply bolting a 40 mm spigot to the pre-drilled hole, and then using the special railing adaptor.

The railing adaptor has an extra M12 hole drilled in front of the spigot hole. An extra spigot can be bolted in place here to provide a connection for a corner rail. This type of rail can only be used in combination with top line decks.

### RAILING LENGTHS

SM-RAIL-H-L100	RAILING 100KG L=100CM
SM-RAIL-H-L200	RAILING 100KG L=200CM

SM-RAIL-H110-L100	RAILING 100KG H=110CM, L=100CM
SM-RAIL-H110-L200	RAILING 100KG H=110CM, L=200CM

### CORNER PIECES

SM-RAIL-H-L093C	RAIL FOR CORNER 100KG L=93CM
SM-RAIL-H-L193C	RAIL FOR CORNER 100KG L=193CM

SM-RAIL-H110-L093C	RAIL FOR CORNER 100KG,H=110CM, L=93CM
SM-RAIL-H110-L193C	RAIL FOR CORNER 100KG,H=110CM, L=193CM

### ACCESSORIES

SM-RAIL-ATT-02	Spigot 40 mm for top line deck
SM-RAIL-ATT-03	Adaptor for 100 kg/m rail for top line deck



Photo: Musical Oorlogswinter, The Netherlands

## ADJUSTABLE STAIR

### System Description:

This unique, fully adjustable, staircase consists of separate units which can be combined to form a staircase between 1 m minimum and 3,2 m maximum height.

The units are based on four main beams of 60 × 6 mm tube to which the stair steps are connected. The stair steps are flexible and have a varying angle of 45 to 60 degrees. The adjustable stair is designed for a maximum loading of 500 kg/m<sup>2</sup>.

## BASIC ELEMENTS

### Top side:

SM-STAIR-500, basic element with 6 steps. The upper step aligns with the stage floor. This basic element is connected to the stage by means of a profile that is bolted to the stage with a T-head bolt (M10 x 40 mm) which is placed in the StageDex profile.

### Bottom side:

The SM-STAIR-510 base section. Connects to the stair elements by means of a CCS7 coupler combined with the CCS7 hinge (CCS7-H-FM-90).

## STEP UNITS

To elongate the basic element, extra step units can be mounted. Units range from 1 to 5 steps. Several units can be coupled to reach the maximum allowed height. The extra units are connected using the standard CCS7 coupling system.

SM-STAIR-501, 1 STEP BEAM.

SM-STAIR-502, 2 STEP BEAM.

SM-STAIR-503, 3 STEP BEAM.

SM-STAIR-504, 4 STEP BEAM.

SM-STAIR-505, 5 STEP BEAM.

## HANDRAILS

Mounting the handrails completes the staircase. The railing can be combined by utilizing three parts:

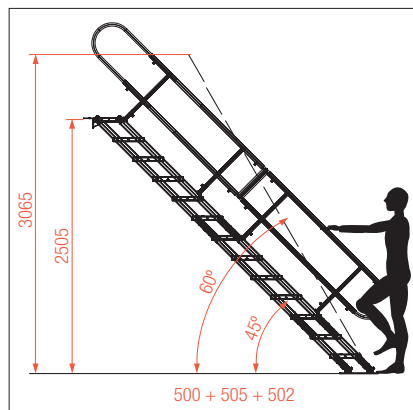
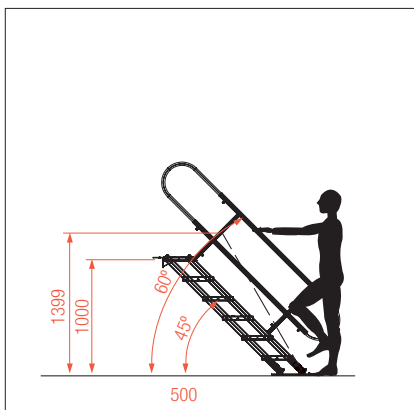
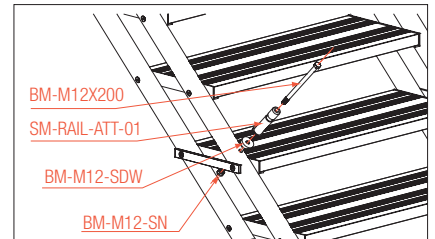
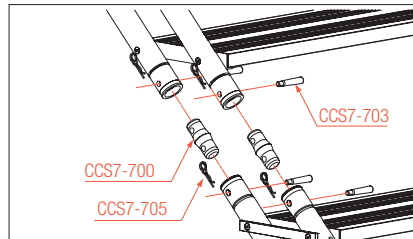
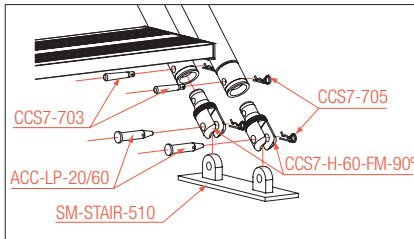
- SM-STAIR-520 is the adjustable basic part, can be coupled, to cover the full height of your stair.
- SM-STAIR-521 is the rounded end part.
- SM-STAIR-522 is the rectangular end part to which another railing can be coupled.

The railing parts can be mounted only on the SM-STAIR-500 and the SM-STAIR-505. The railing is mounted to the main tube using the standard spigot (SM-RAIL-ATT-01), which is bolted to the tube using a M12 x 200 mm bolt.





Photo: Belcult Project, Belarus. Project: Palace of the Republic, ST roof with EasyFrame B



### STAIR HEIGHTS USING DIFFERENT COMBINATIONS

All measurements in mm	500	500 + 501	500 + 502	500 + 503	500 + 504	500 + 505
A (stair angle 45 degree)	1000	1344	1537	1731	1924	2118
B (stair angle 60 degree)	1399	1636	1873	2110	2346	2584

All measurements in mm	500 + 505 + 501	500 + 505 + 502	500 + 505 + 503	500 + 505 + 504	500 + 505 + 505
A (stair angle 45 degree)	2311	2505	2699	2891	3075
B (stair angle 60 degree)	2829	3065	N/A	N/A	N/A

maximum allowable stair height 3,2 m.



Photos: Metro Productions LTD, New Zealand Project: King Kong Premiere, Wellington, New Zealand

## MODULAR STAIR

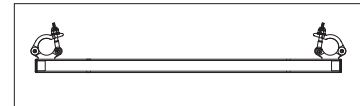
### System Description:

Separate stair units can be combined to create a stair of any desired height in steps of 20 cm by simply bolting stairs together. The units can be connected at both sides, which makes it possible to create a staircase of different widths as well as several heights.

The railing can be connected to the sides of the stairs, but also in between the steps, thereby creating the possibility to have a separate up and down staircase.

The measurements of the individual stair units are 910 × 225 mm. Each stair unit has an angular profile to one side, making it possible to fit the stairs directly to the decks to create an even level for the last stair. The stair unit can be mounted using the T-bolts.

The SM-STAIR-CON-01 special clamp is available to mount stair units to the legs.



100cm  
200cm

SM-STAIR-CON-01  
SM-STAIR-CON-02



Photo: Prolyte Group

**STAGEDEX DOLLY**

As an extension of its StageDex product range, Prolyte has added two dollies that are tailored to market requirements.

**BUILT TO LAST**

The sturdy flatbed dolly has been developed to transport 20 decks, simply stacked on top of one another. This flatbed dolly is ideal for use in larger venues and for large-scale rental.

- Galvanised steel frame
- Design allows nesting for empty storage or transport
- Easy to manoeuvre due to extra-large wheels
- Fitted with 2 swivels and 2 fixed castors for easy steering
- Integrated handles

PRODUCT SPECIFICATIONS: SM-ACC-DOLLY-01	
Dimensions	L2080 x W1020 x H1276 mm
Weight (empty):	92,8 kg
Weight (loaded):	773 kg
Capacity:	20 pcs StageDex 2x1

**SLIM FIT**

The more compact and manageable 6-deck dolly is designed for use in smaller venues, theatres and hotels. Due to the upright position of the decks, this dolly is small enough to fit through any door.

- Galvanised steel frame
- Design allows nesting or tipping for empty storage or transport
- Fitted with 2 swivels and 2 fixed castors for easy steering
- Narrow width – at 60cm it fits through doors and is based on standard truck dimensions
- Pre-fabricated slots to stack the decks on the dolly
- Integrated handles

PRODUCT SPECIFICATIONS: SM-ACC-DOLLY-02	
Dimensions	L2075 x W600 x H1191 mm
Weight (empty):	60,4 kg
Weight (loaded):	265 kg
Capacity:	6 pcs StageDex 2x1



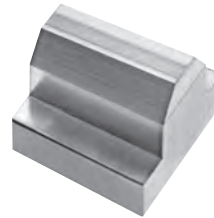
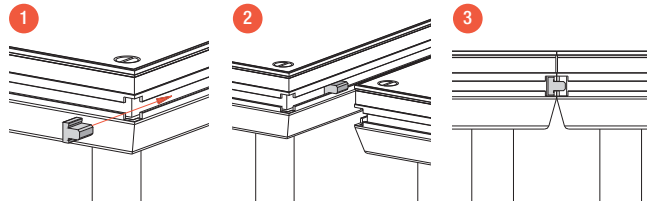




### STAGEDEX LEVELLER SM-ACC-CON-01

Use the StageDex leveller to achieve precise levelling of your stage system and to prevent any vertical movement between the decks. Simply slide the cube into the side profile of the decks. Once the adjoining deck is placed,

the StageDex leveller keeps both decks at precisely the same height. A safe and even stage floor, free from tripping hazards, is the result. The levellers can be delivered in several lengths on request.

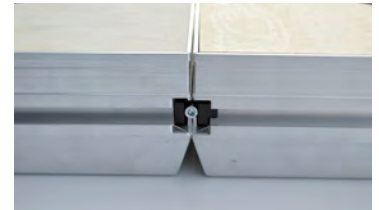
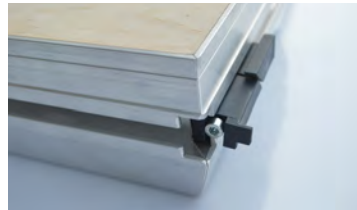


### STAGEDEX CONNECTOR SM-ACC-CON-02

The StageDex Connector not only keeps your stage floor exactly level, but connects the decks as well. The deck connector slides into the side of the profile and is fixed with the aid of a simple hex key; it can be used in combination with the StageDex Leveller. The StageDex Connector is specially designed for circumstances where the leg-to-leg clamp cannot

be mounted, including:

- Low stages. There are no legs or the legs are too short to be able to mount the clamp.
- Angular or curved stages. The centre-to-centre distance of the legs at the angular corners of the stage is too large to mount the clamp.



### COUPLING PROFILE

The coupling profile provides an easy method of coupling your StageDex system while still allowing elements of the staging to be raked at a certain angle. This offers the ideal solution for building ramps, sloping walkways or

passageways for wheelchairs. The profile slides into the side of the decks; the adjoining deck is safely attached. The maximum raking angle is 30 degrees.

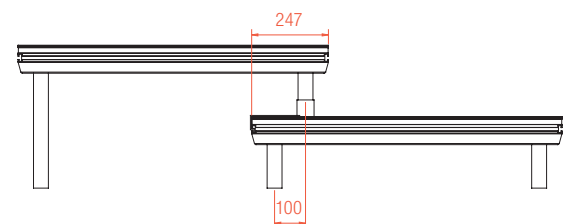
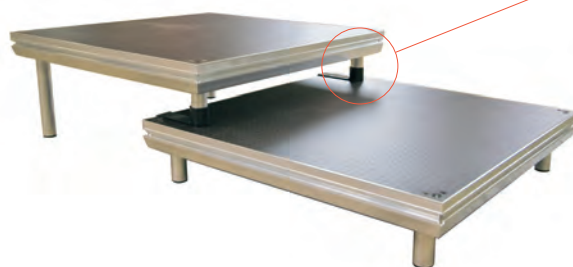


#### COUPLING PROFILE

SM-ACC-CON-03	15 cm
SM-ACC-CON-04	35 cm
SM-ACC-CON-05	85 cm
SM-ACC-CON-06	135 cm
SM-ACC-CON-07	185 cm
SM-ACC-CON-08	600 cm

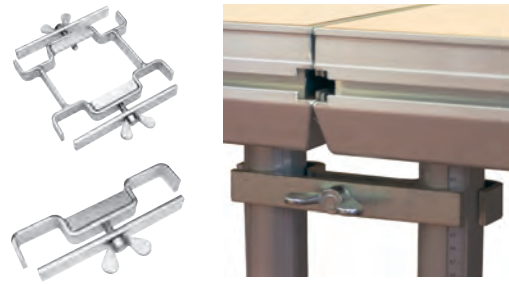
### STAGEDEX LEG BRACKET SM-ACC-CON-09

Steel bracket for positioning the stage and keeping legs in place. For tiered seating or multi level stages.



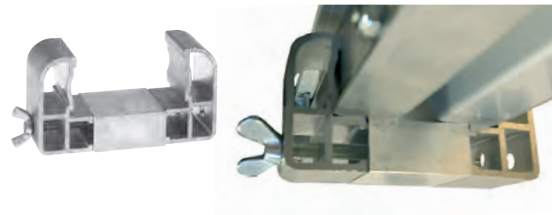
## LEG-TO-LEG CLAMP SM-ACC-CLP-01/02

As well as the SM-ACC-CLP-01, the leg-to-leg clamp that connects two legs, Prolyte has designed the SM-ACC-CLP-02 that connects four legs. Both clamps are easily mounted; tools are not required. The clamps absorb the horizontal forces on the stage floor and guarantee a close fit of the decks.



## DEX-TO-DEX CLAMP SM-ACC-CLP-03

After your decks are mounted to the legs or support structure, they can be connected to each other using this clamp to ensure a sturdy connection between the decks. Using the clamp will prevent any unwanted vertical movement of your stage floor and will absorb the horizontal loading applied to the decks.



## HD DEX-TO-DEX CLAMP SM-ACC-CLP-06

The heavy-duty version of the DEX-TO-DEX clamp is developed for building larger stages. Due to its robust size and large wing nut it facilitates handling and tightening. Both clamp types can be used in combination to create a safe and solid connection between the individual decks when building a complete stage.



## CLICK-ON STAGEDEX PROFILES SM-CT-ATT

One simple click and the profile is mounted to your deck! There are two click-on systems available: skirting profile (SM-CT-ATT-(06 t/m 09)) and toe board profile (SM-CT-ATT-(11 t/m 13)). Each profile works with a simple click and lock system and requires no tools to secure into place. These timesaving products can be locked on from the top for quick and easy assembly.

The skirting profile is developed to create an easy way to attach skirting to your decks, finishing the look of your platform or stage neatly. This profile is available in lengths of 470 mm, 970 mm and 1970 mm.

A Velcro strip is delivered with this profile to facilitate the attachment of skirting. The skirting profile is developed to create an easy way to mount a toe board to your platform or staging area, creating a safe zone and preventing chairs from skidding off. This profile is available in lengths of 470 mm, 970 mm and 1970 mm.



## CURTAINS

Straight or pleated curtains for the curtain profile are available in several lengths of 2000 mm to 6000 mm and heights of 200 mm to 2000 mm.



## T-HEAD BOLT SM-SP-T-BOLT-40

The T-head bolt can be placed in the side profile of the deck. It can be used to attach anything that requires bolting in place, from panels and signs to set pieces or special accessories. The bolts are available in several lengths.





Photo: Events/Cristi Mitrea. Project: Standard Vision, Linkin Park concert Romania

## System characteristics

The StageDex Barrier is a lightweight crowd control system made of aluminium. The Barrier has a self-weight of only 35 kg per 1 m section.

The smooth round top bar and the bottom bar incorporate a stainless steel 15 mm slot pin that provides easy connection points for the Barriers. The bottom side can be secured using a hexagon socket head screw (M 12 × 180 mm). All profiles have soft, rounded edges for maximum comfort. The design load of the barrier is 4,5 kN/m1. The Barrier folds flat after use and can be stacked in dollies for easy transportation and storage. Apart from the standard 1 m sections, the Barrier can be delivered featuring several corner types, with extended platform sections, and in a SnakeGate version. Furthermore, StageDex can deliver the Barrier featuring your own logo upon request.

## System applications

The StageDex Barrier was developed for use as a safety device to control crowds in various types of occasions ranging from pop concerts to outdoor events. The Barrier offers a combination of optimum safety and comfort for the audience as well as a safe working area for rescue personnel. The StageDex Barrier is designed as a demountable structure; setup and assembly are quick and easy, requiring a minimum amount of tooling.

## Crowd safety

The StageDex Barrier was designed in accordance with strict design criteria and complies with all health and safety regulations such as; "Temporary Demountable Structures", "Technical Standards for Places of Entertainment", DIN 4113 and BS 8118.



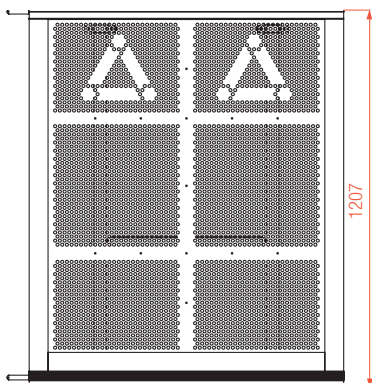
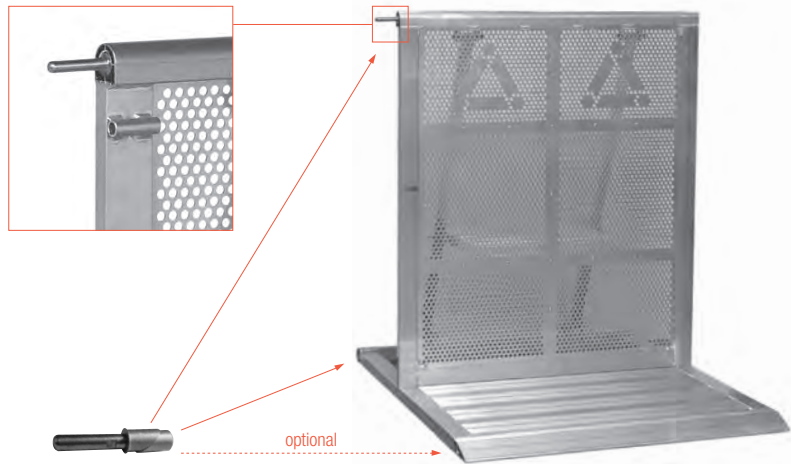
Photo: SGS Security

### Technical Specifications: Barrier

Storage volume	1070 x 1242 x 90 mm
Self weight alu barrier	35 kg/piece 1m
Design load	5 kN/m1
Complies with demountable structures	EN 13200 & temporary structures

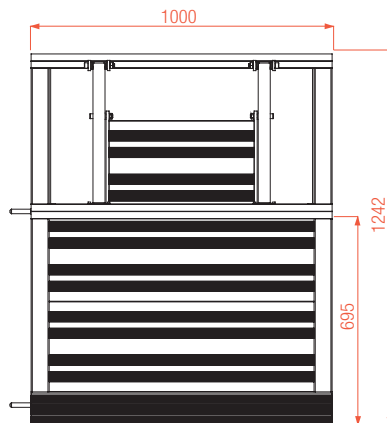


BAR-10-006 Barrier coupler



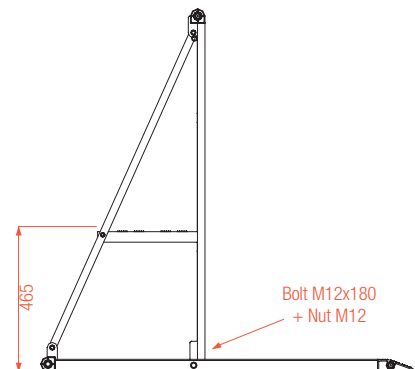
**BAR-10-100**

Barrier Front view



**BAR-10-100**

Barrier Top view



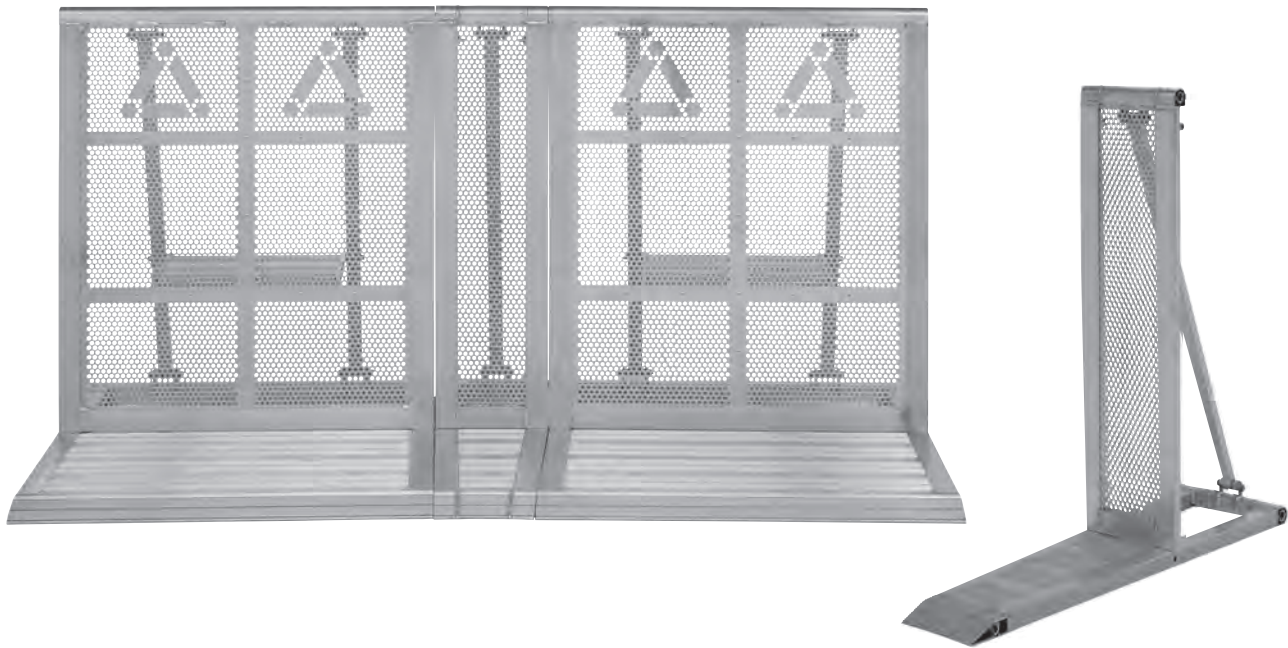
**BAR-10-100**

Barrier Side view





# FIXED CORNERS



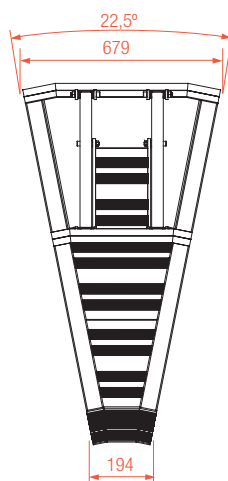
INSIDE	
BAR-11-105	5°
BAR-11-122,5	22,5°
BAR-11-145	45°

OUTSIDE	
BAR-11-205	5°
BAR-11-222,5	22,5°
BAR-11-245	45°



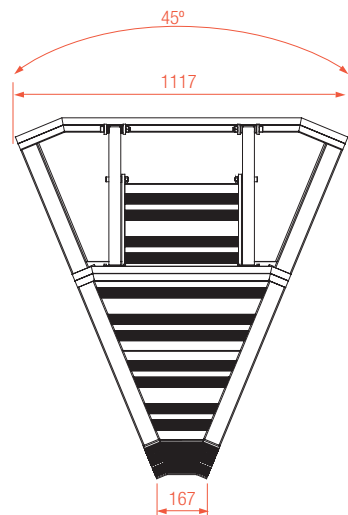
**BAR-11-105**

Inside view



**BAR-11-122,5**

Inside view



**BAR-11-145**

Inside view



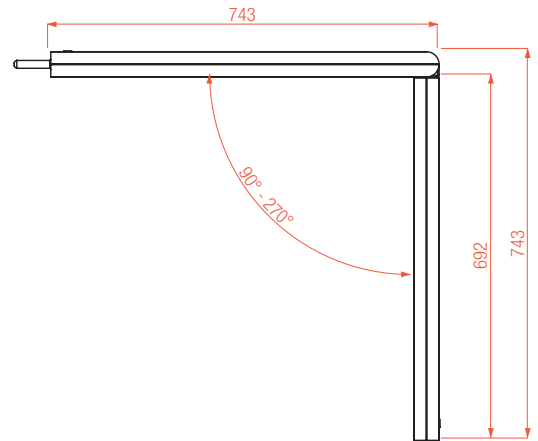
## FLEX CORNER

The StageDex Barrier range is extended by the flex corner. In terms of angle, this corner can vary from 90-270 degrees and fits seamlessly with the standard StageDex Barrier. The flex corner is equipped with a robust heavy duty hinge, which is capable of absorbing all the forces to which the barrier may be subjected.

The flex corner can be used as an inside as well as an outside corner. StageDex has designed two inlay plates for a 90 degree and a 135 degree setup, respectively. Other inlay plates can be manufactured on request. The flex corner can be used without the inlay plate.



BAR-11-001

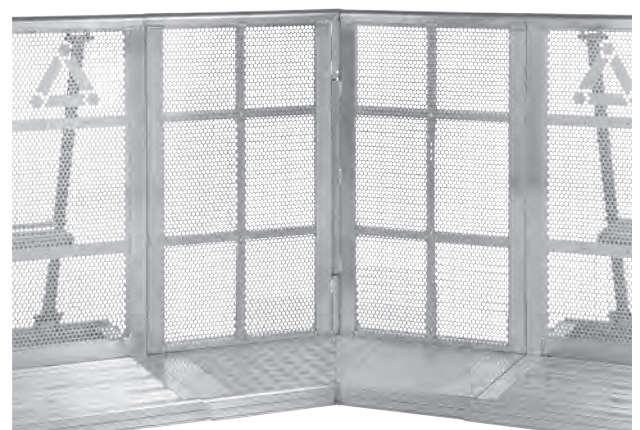


BAR-11-001

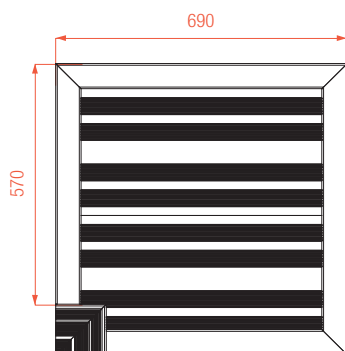
Top view



BAR-11-002

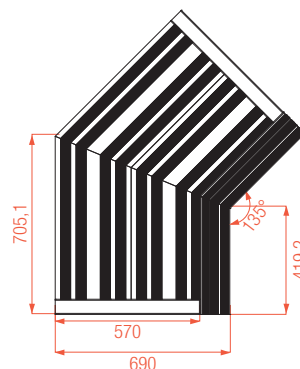


BAR-11-003



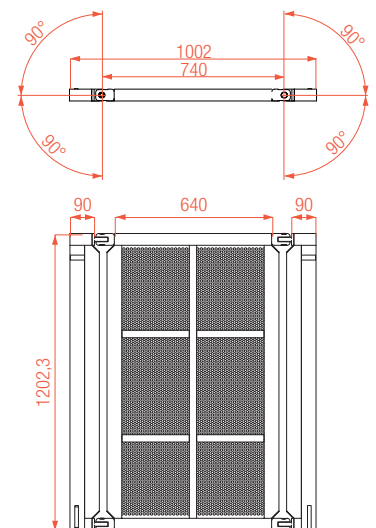
BAR-11-002

Inside view



BAR-11-003

Inside view



BAR-11-004

Inside view



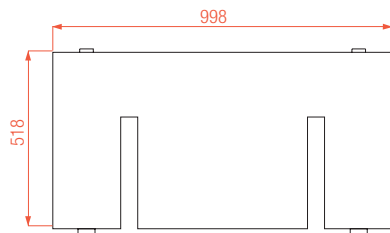
**EXTENSION**

StageDex has designed a 2 step extension for the barrier which can be used to create either a step up option at intervals or a continuous walking platform for security personnel. This extension provides enhanced safety

as well as better reach and expanded possibilities for quick access to the public behind the crowd barrier.

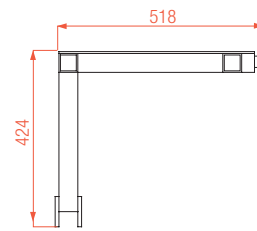


**BAR-10-003**



**BAR-10-003**

Top view

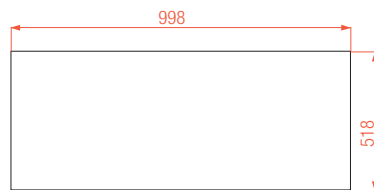


**BAR-10-003**

Side view

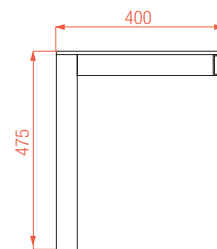


**BAR-10-004**



**BAR-10-004**

Top view



**BAR-10-004**

Side view



BAR-12-003

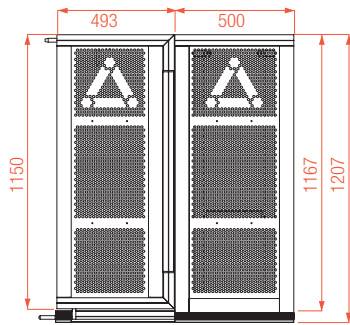


BAR-12-004

**SNAKEGATE**

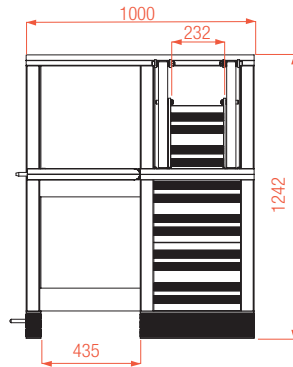
The StageDex SnakeGate is a specially designed barrier to accommodate the transit of your cables ("snake") from the stage to front of house (FOH). The special designed gate leaves enough room in width and height for any

type of standard cable ramp to pass through the barrier line. The integrated door facilitates access from the stage to FOH for working technicians or security personnel.



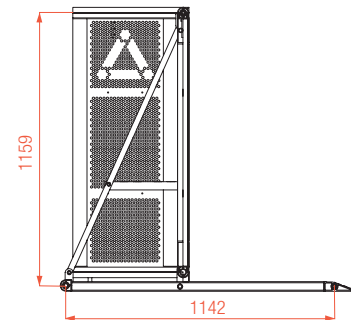
BAR-12-003

Front view



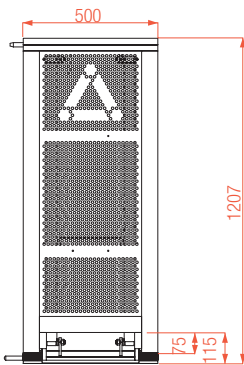
BAR-12-003

Top view



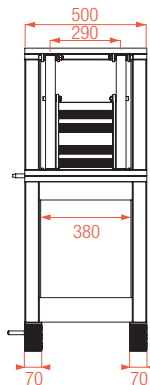
BAR-12-003

Side view



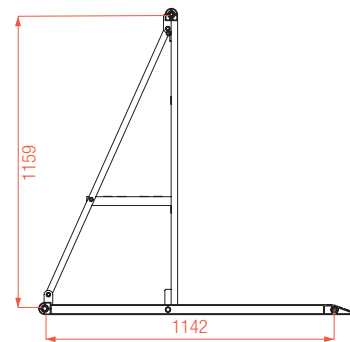
BAR-12-004

Front view



BAR-12-004

Top view



BAR-12-004

Side view



Photo: Project by MF Group, LineUpGates for Red Hot Chili Peppers concert, Moscow, Russia.

### Safe Crowd Control

Over the years, Prolyte Group has developed a full range of aluminium crowd control barriers that live up to the highest levels of safety and user-friendliness while complying with the strictest regulations. Prolyte barriers are easy to work with and offer crowd control in a friendly and safe way. This broad line of barriers is extended with the LineUpGate. Together with the standard barriers, a programme of fixed and variable corners, the mega gate and several clever options, the Prolyte barriers now offer a complete solution for crowd control set-ups.

### Managing queuing crowds safely

Line-up gates are designed as check points for ticket collection and to manage queuing crowds. The Prolyte LineUpGate offers a simple and efficient tool to control your audience inflow at events or festivals. The modular system can be extended with as many entry gates as you need and can be connected to the standard barriers, creating one interconnected and safe system. The LineUpGates are designed to remain upright under substantial pressure.

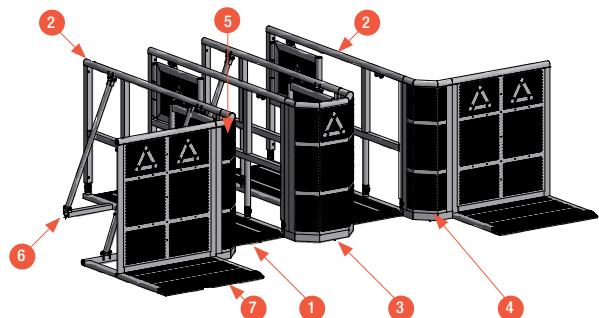
The entry gate is 60 cm wide and offers controlled audience entry, passing one person at a time through the gate. If the situation requires, the gates can be closed with one simple handle, stopping the inflow of audience in a controlled way. The LineUpGates can be branded with signs or banners displaying your event logos by standard mounting options.

### LineUpGate, a crafty solution

- The Standard version LineUpGate has two entries; each entry is 60 cm wide, total depth is 230 cm. Minimum overall width (1 gate) is 120 cm.
- Bumpers available in 90° and 180° sections.
- Can be coupled to any barriers from the Prolyte Barrier range
- Modular system, more LineUpGates can be coupled to create multiple entries
- Each entry can be closed with a hinged gate to stop the inflow of audience when required
- Standard mounting options for banners or signs
- Standard supplied with floor panel to secure safe and stable set-up
- All profiles have rounded edges – for more comfort and easy handling
- Panel holes are no larger than 10mm, to prevent jammed fingers
- Noise reduction; all barriers have a vibration free mounted front panel and nylon bearing at hinge points
- Floor panels have standard ridges to create more grip on uneven surfaces, like sand or grass
- Compact transportation – folds to pallet size

### SPECIFICATIONS:

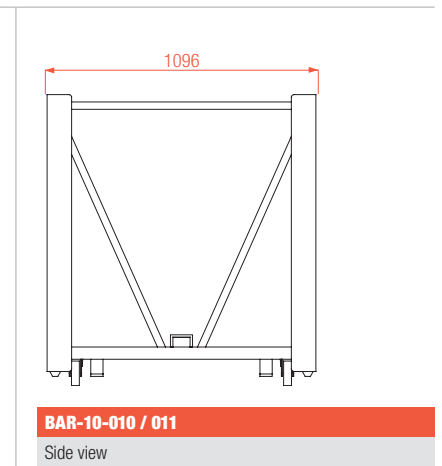
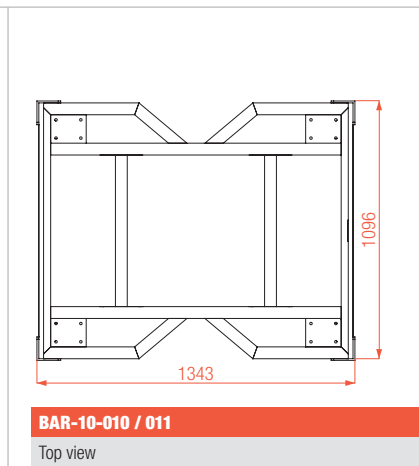
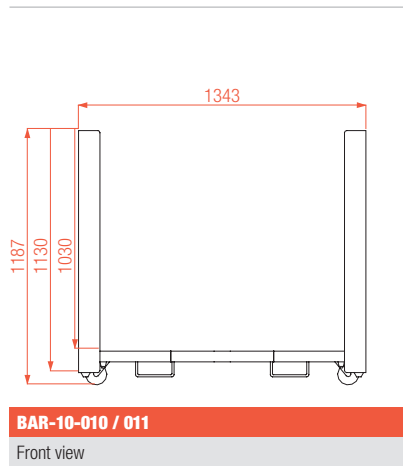
Size	60 cm wide, total depth is 230 cm. Minimum overall width (1 gate) is 120 cm		
Weight	1	Bar-14-001	30 kg
	2	Bar-14-002	20 kg
	3	Bar-14-003	16 kg
	4	Bar-14-004-R	6,5 kg
	5	Bar-14-004-L	6,5 kg
	6	Bar-14-005	3 kg
	7	Bar-10-100	35 kg





**DOLLY**

The specially designed barrier dolly makes transporting the barriers easy. This robust steel dolly holds 10 standard 1 m barrier sections. Simply load the StageDex Barriers on top of each other in the dolly. A set of 4 sturdy castor wheels makes transportation and the loading of the dolly easy. The dollies can be stacked on top of each other to save space in storage.



BAR-10-010 are without wheels  
BAR-10-011 are with wheels



Photo: TSD Group,



## PROLYTE CAMPUS

### Prolyte Campus

Prolyte Campus is a Prolyte Group initiative to support its customers with the best and most up-to-date knowledge available. Providing the tools and training to use the Prolyte Group products safely and in compliance with applicable standards and regulations will help you perform better. Prolyte Campus offers a complete program of learning activities to create awareness on the safe use of Prolyte products.

Providing the knowledge to let your business grow

As a manufacturer Prolyte Group always feels the responsibility to supply knowledge as integrated part of its products.

Creating the awareness that safe working practices are key to responsible ownership is one of our goals. Placing all our training initiatives under one umbrella is a means to facilitate

access to this knowledge base for all our customers and users. Transferring knowledge and creating a dialogue with technicians worldwide, finding their needs and sharing experiences is a valuable base for creating solutions that work and help you grow your business.

### What does the Prolyte Campus offer?

Sharing knowledge is the pivoting point, in whatever way is needed to get the message across. As a start the Prolyte Campus will offer a mix of online, printed and seminar based means of knowledge transfer. Existing activities, like the BlackBook, How to video's, Rigging Courses and Seminar possibilities, will be continued. New initiatives, like web based learning content and networking opportunities will be developed. Prolyte users will be encouraged to share their experience and daily practice skills.

[www.prolyte.com/prolytecampus](http://www.prolyte.com/prolytecampus)





Photo: Prolyte Campus at Rolight, The Netherlands

## BlackBook

The ultimate reference guide for our industries riggers, trussing and staging technicians, the BlackBook offers renowned technical background information and practical tips and tricks. Completely up-to-date with the latest developments in regulations and product design, this book is a must read for all technicians in the live industry.

[www.prolyte.com/brochures](http://www.prolyte.com/brochures)


## Safety is our driving force

Prolyte Group products comply with strict international standards and regulations. The manufacturing and welding of our products is a very precise and reliable process, we work exhaustively to ensure our procedures and protocols conform to applicable standards and endeavour to be one step ahead of new and future regulations and standards. All products are manufactured to EN1090-3 EXC3, the highest execution class, as certified by two independent notified bodies. All our loading tables and structural calculations are in compliance with EC9.

# Helping you build great things



Prolyte Group · [sales@prolyte.com](mailto:sales@prolyte.com) · [+31 594 851 515](tel:+31594851515)

[www.prolyte.com](http://www.prolyte.com)  [facebook.com/Prolytegroup](https://facebook.com/Prolytegroup)  [instagram.com/prolytegroup](https://instagram.com/prolytegroup)